

SENSEFIER
Ultra low light enhancement



MPIX-21IRPTZ

2MP PTZ 30X Network Camera

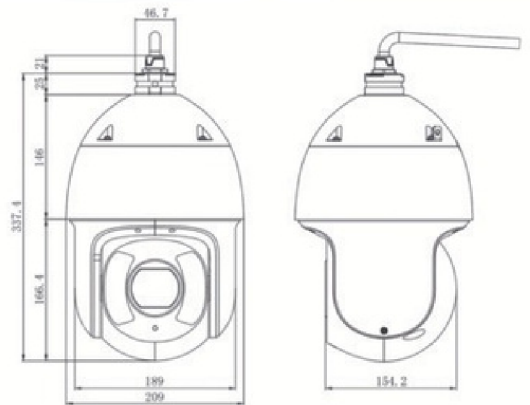
PRO SERIES



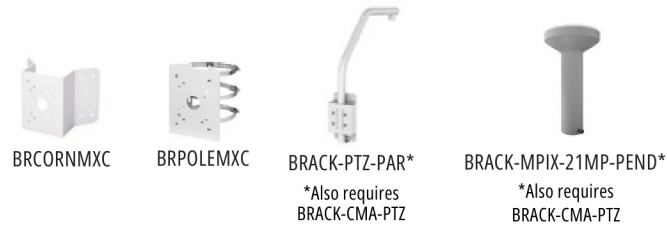
PRODUCT FEATURES

- 1/2.8" 2Megapixel CMOS
- Powerful 30x optical zoom
- Supports POE+
- 4.5mm ~ 135mm lens
- Max. 50/60fps@1080P
- Sensefier Technology
- WDR 120dB
- H.265+/H.265 Encoding
- Max. 50/60fps@1080P
- Supports Auto-tracking and IVS
- IR distance up to 200m/656ft
- IP67, IK10
- Multiple network monitoring:
- Built-in web server & Multifunction VMS
- Support Multicast
- **Supports multiple analytic functions**
- **For more information call us to better suit your needs**

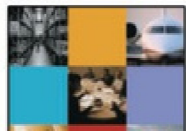
** Wall Mount Bracket and Power supply included*



Optional Brackets:



FREE Multisite VMS software
Download from www.watchnetinc.com



Model		MPIX-21IRPTZ			
Image Sensor	1/2.8" Sensefier CMOS				
Effective Pixels	1920(H) x 1080(V), 2 Megapixels				
RAM/ROM	512M/128M				
Electronic Shutter Speed	1/1s~1/30,000s				
Scanning System	Progressive				
Min Illumination	Color: 0.005Lux@F1.6; 0Lux@F1.6 (IR on)				
S/N Ratio	More than 55dB				
IR Distance	Distance up to 200m (656ft)				
IR On/Off Control	Auto/Manual				
IR LEDs	6				
DORI Distance	Detect	Observe	Recognize	Identify	
	1862m (6109ft)	744m (2441ft)	372m (1220ft)	186m (610ft)	
Lens					
Focal Length	4.5mm ~ 135mm				
Max. Aperture	F1.6 ~ F4.4				
Angle of View	H: 67.8° ~ 2.4°				
Optical Zoom	30x				
Focus Control	Auto/Manual				
Close Focus Distance	100mm ~ 1000mm				
Intelligence					
Analytics	Supports multiple analytic functions				
PTZ					
Pan/Tilt Range	Pan: 0° ~ 360° endless; Tilt: -20° ~ 90°, auto flip 180°				
Manual Control Speed	Pan: 0.1° ~200° /s; Tilt: 0.1° ~120° /s				
Preset Speed	Pan: 300° /s; Tilt: 200° /s				
Presets	300				
PTZ Mode	5 Pattern, 8 Tour, Auto Pan, Auto Scan				
Power up Action	Auto restore to previous PTZ and lens status after power failure				
Idle Motion	Activate Preset/ Scan/ Tour/ Pattern if there is no command in the specified period				
Protocol	WatchNET, Pelco-P/D (Auto recognition)				
Video					
Compression	H.265+/H.265/H.264+/H.264				
Streaming Capability	3 Streams				
Resolution	1080P(1920×1080)/1.3M(1280×960)/ 720P(1280×720)/D1(704×576/704×480)/ CIF(352×288/352×240)				
Frame Rate	Main stream: 1080P/1.3M/720P(1~50/60fps) Sub stream1: D1/CIF(1 ~ 25/30fps) Sub stream2:1080P/1.3M/720P/D1/CIF(1 ~25/30fps)				
Bit Rate Control	CBR/VBR				
Bit Rate	H.265/H.264: 448K ~ 8192Kbps				
Day/Night	Auto(ICR) / Color / B/W				

Video	
Backlight Compensation	BLC / HLC / WDR (120dB)
White Balance	Auto/Natural/Street Lamp/Outdoor/Manual
Gain Control	Auto/Manual
Noise Reduction	Ultra DNR (2D/3D)
Motion Detection	Support
Region of Interest	Support
Electronic Image Stabilization (EIS)	Support
Defog	Support
Digital Zoom	16x
Flip	180°
Privacy Masking	Up to 24 areas
Audio	
Compression	G.711a/G.711Mu/AAC/G.722/G.726/G.729/ MPEG2-L2
Network	
Ethernet	RJ-45 (10Base-T/100Base-TX)
Protocol	IPv4/IPv6, HTTP, HTTPS, SSL, TCP/IP, UDP, ProtocolUPnP, ICMP, IGMP, SNMP, RTSP, RTP, SMTP,NTP,DHCP, DNS, PPPOE, DDNS, FTP, IP Filter, QoS, Bonjour, 802.1x
Interoperability	ONVIF Profile S&G, API
Streaming Method	Unicast / Multicast
Max. User Access	20 Users
Edge Storage	NAS (Network Attached Storage) Local PC for instant recording Micro SD card 128GB
Web Viewer	IE, Chrome, Firefox, Safari
Smart Phone	IOS, Android
Interface	
Video Interface	1 port(BNC, 1.0V[p-p], 75Ω)
RS485	1
Audio I/O	1/1
Alarm I/O	7/2
Electrical	
Power Supply	24V DC/2.5A, PoE+(802.3at)
Power Consumption	17W, 26W(IR On, Heater On)
Environmental	
Operating Conditions	-40°C ~ +70°C (-40°F ~ +158°F) Less than 90% RH
Ingress Protection	IP67
Vandal Resistance	IK10
Construction	
Casing	Metal
Dimensions	φ209mm x 337.4mm,φ8.23" x13.28"
Net Weight	5.8kg (12.79lb)
Gross Weight	9.1kg (20.06lb)

All logos & trade marks represent the registered users only. All rights reserved.
All product specifications on this brochure are subject to change without notice.