



PTZ DOME CAMERA

CE FC



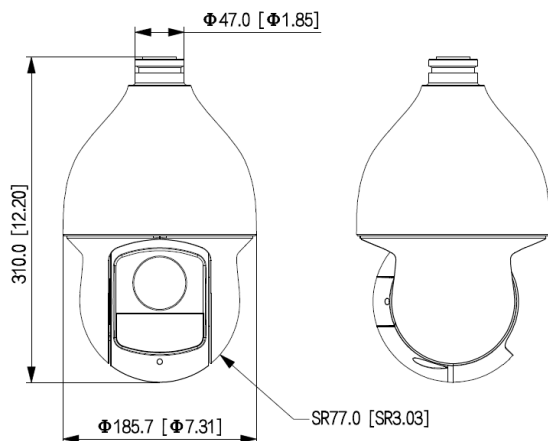
2 Megapixel 25x IR HD CVI PTZ Camera



KEY FEATURES:

- 1/2.8" 2Megapixel CMOS.
- Powerful 25x optical zoom.
- Sensefier technology.
- 120 dB true WDR, 3D NR.
- Max. 25/30 fps@1080p, 25/30/50/60 fps@720p.
- IR distance up to 150 m.
- Power adapter (24V DC)
- IP66

*Wall-mount bracket and power adapter are included.



Pendant Mount BRACK-MPIX-21MP-PEND	Junction Back Box BRACK-PTZBB12	Hinged Back Box BRACK-PTZ-BOX
Pole Mount BRPOLEMXC	Corner Mount BRCORNMXC	Parapet Mount BRACK-PTZ-PAR

Optional Brackets		
BRACK-MPIX-21MP-PEND Pendant Mount	BRACK-PTZBB120 Junction Back Box	BRACK-PTZ-BOX Hinged Back Box
BRPOLEMXC Pole Mount Bracket	BRCORNMXC Corner Mount	BRACK-PTZ-PAR Parapet Mount

CAMERA	
Image Sensor	1/2.8" CMOS
Resolution	1920 (H) × 1080 (V)
Scanning System	Progressive
Electronic Shutter Speed	1/3 s–1/30,000 s
Min. illumination	0.005 lux@F1.6 (Color, 30 IRE); 0.0005 lux@F1.6 (B/W, 30 IRE) 0 lux (IR light)
ROM/RAM	128 MB / 256 MB
Illumination Distance	150 m (492.13 ft) (IR)
Illuminator On/Off Control	Zoom Prio; manual
Illuminator Number	4 (IR LED)

LENS	
Optical Zoom	25×
Focus Control	Auto; semi-auto; manual
Focal Length	4.8 mm–120 mm
Max. Aperture	F1.6–F3.5
Angle of View	H: 60.6°–3.2°; V: 34.1°–1.8°; D: 69.4°–3.7°
Iris Control	Auto; manual
Close Focus Distance	0.1 m–2 m (0.33 ft–6.56 ft)

DORI DISTANCE			
Detect	Observe	Recognize	Identify
1655.2 m (5430.45 ft)	653.8 m (2145.01 ft)	331.0 m (1085.96 ft)	165.5 m (542.98 ft)

PTZ	
Pan/Tilt Range	Pan: 0° to 360° endless; Tilt: –15° to +90°, auto flip 180°
Manual Control Speed	Pan: 0.1°–300°/s Tilt: 0.1°–200°/s
Preset Speed	Pan: 400°/s; Tilt: 300°/s
Preset	300
Tour	8 (up to 32 presets per tour)
Pattern	5
Scan	5
Power-off Memory	Yes
Idle Motion	Pattern;Preset;Scan;Tour
PTZ Protocol	DH-SD Pelco-P/D (Auto recognition)

ENVIRONMENTAL	
Operating Conditions	–40 °C to +70 °C (–40 °F to +158 °F)
Operating Humidity	≤95%
Ingress Protection	IP66; TVS 6000V lightning proof; surge protection; voltage transient protection

VIDEO	
Resolution	1080p (1920 × 1080); 720p (1280 × 720); D1 (704 × 576/704 × 480)
Frame Rate	1080p (25/30 fps); 720p (25/30/50/60 fps)
Day/Night	Yes
BLC Mode	Yes
HLC	Yes
WDR	120 dB
Gain Control	Auto; manual
Noise Reduction	2D NR; 3D NR
White Balance	Auto; indoor; outdoor; tracking; manual; sodium lamp; natural light; street lamp
Defog	Electronic
Image Rotation	180°
S/N Ratio	≥50 dB
Digital Zoom	16×
Privacy Masking	Yes

FUNCTION	
CVI Product Output Mode	TVI;CVI;CVBS;AHD(CVBS is only used for debugging)

PORT	
Analog Output	1 channel (CVBS/CVI output, BNC)
RS-485	1 (baud rate range: 1200 bps–9600 bps)
Audio Input	1 channel (LINE IN, bare wire)
Alarm Input	2 (on-off value input: 0–5 VDC)
Alarm Output	1
Alarm Linkage	Scan; preset; tour; pattern; alarm digital output
Alarm Event	Alarm input

CONSTRUCTION	
Product Dimensions	310.0 mm × Φ185.7 mm (12.20" × Φ7.31")
Net Weight	3.9 kg (8.60 lb)
Gross Weight	7.2 kg (15.87 lb)

ELECTRICAL	
Power Supply	24 VDC, 2.5 A ± 25%
Power Consumption	Basic: 10 W Max.: 21 W (PTZ + illuminator)



*All logos & trade marks represent the registered users only. All rights reserved.

*All product specifications on this brochure are subject to change without notice.

CANADA
351 Ferrier Street Unit 5
Markham, Ontario L3R 5Z2
Tel. 416-410-6865
Toll Free: 1-866-843-6865

USA
171 Cooper Ave. Suite 110
Tonawanda, New York 14150
Tel. 716-877-7277
Toll Free: 1-866-843-6865

MIDDLE EAST
PO Box No 126312
Suite 703 Oxford Tower
Business Bay, Dubai, UAE
Tel. + 971-4-2767117

www.watchnetinc.com
info@watchnetinc.com