



8 Channel Penta-Brid 4K Compact 1U Digital Video Recorder

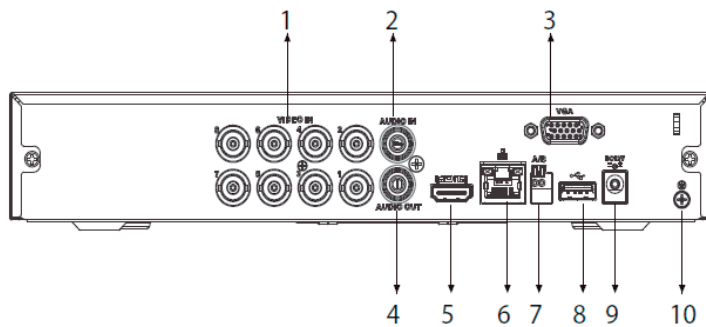


Features:

- CE · Compact 1U Penta-Brid Embedded LINUX processor
- FC · H.264/H264+ dual-stream video compression
- Supports HDCVI/AHD/TVI/CVBS/IP video inputs
- Max. 12 channels when using IP Cameras, each channel up to 8MP
- Max. 48 Mbps incoming bandwidth
- Supports simultaneous display of VGA and HDMI
- Supports 1 SATA HDD, up to 8 TB
- Smart Search and Intelligent Video System



FREE Multisite VMS Software
Download from www.watchnetinc.com



- | | |
|----------------|-----------------------------|
| 1. VIDEO IN | 2. AUDIO IN, RCA Connector |
| 3. VGA Port | 4. AUDIO OUT, RCA Connector |
| 5. HDMI Port | 6. Network Port |
| 7. RS-485 Port | 8. USB Port |
| 9. Power Input | 10. Ground |



Model		PNT-0880R2
System	Main Processor	Embedded Processor
	Operating System	Embedded LINUX
Face Detection	Face Detection	Only for the 1st channel, only support analog camera
IVS Analytics	IVS	1 channel, 10 IVS for each channel, only support analog camera
Audio & Video	Analog Camera Input	8 channels, BNC
	HDCVI Camera Input	4K; 6 MP; 5 MP; 4 MP; 3 MP; 1080p; 720p
	AHD Camera Input	4K; 6 MP; 5 MP; 4 MP; 3 MP; 1080p; 720p
	TVI Camera Input	4K; 6 MP; 5 MP; 4 MP; 3 MP; 1080p; 720p
	CVBS Camera Input	PAL/NTSC
	IP Camera Input	8+4 channels, each channel up to 8 MP
	Audio I/O	1 RCA / 1 RCA
	Two-way Talk	Reuse audio in/out, RCA
Recording	Video Compression	H.264+/H.264
	Resolution	4K, 6 MP, 5 MP, 4 MP, 3 MP, 1080p, 720p, 960H, D1, CIF, BCIF, QCIF
	Record Rate	Main stream: All channel 4K (1 fps-7 fps); 6 MP(1 fps-10 fps); 5 MP(1 fps-12 fps); 4 MP/3 MP(1 fps-15 fps)/1080p/720p/960H/D1/ CIF (1 fps-25/30 fps); Sub stream: 960H(1 fps-15 fps); 1/CIF(1 fps-25/30 fps)
	Record Mode	Manual, Schedule (General, Continuous), MD (Video detection: Motion Detection, Video Loss, Tampering), Alarm, Stop
	Bit Rate	32 Kbps-6144 Kbps Per Channel
	Audio Sample Rate	8 KHz, 16 bit Per Channel
	Audio Bit Rate	64Kbps Per Channel
	Audio Compression	G.711A; G.711U; PCM
Display	Interface	1 HDMI, 1 VGA
	Resolution	HDMI: 3840 x 2160, 2560 x 1440, 1920 x 1080, 1280 x 1024, 1280 x 720 VGA: 1920 x 1080, 1280 x 1024, 1280 x 720
	Multi-screen Display	When IP extension mode enabled: 1/4/8/9/16 When IP extension mode not enabled: 1/4/8/9
	OSD	Camera title, Time, Video loss, Camera lock, Motion detection, Recording
Network	Network Port	1 RJ-45 Port (1000 MB)
	Network Protocol	HTTP, HTTPS, TCP/IP, IPv4/IPv6, Wi-Fi, SNMP, UPnP, RTSP, SMTP, NTP, DHCP, DNS, PPPoE, DDNS, FTP, Alarm Server, IP Search (Supports WatchNET IP camera, DVR, NVS, etc.)
	Max User Access	128 users
	Mobile Phone Access	iOS, Android
	Interoperability	ONVIF (profile S), CGI, SDK

Alarm	General Alarm	Motion detection, Video Loss, Tampering
	Anomaly Alarm	No disk, disk error, low space, offline, IP conflict, MAC conflict
	Intelligent Alarm	Face detection, IVS
	Alarm Linkage	Record, snapshot (panoramic), IPC external alarm output, access controller, voice prompt, buzzer, log, preset, email
Playback and Backup	Playback	1/4/9
	Search Mode	Time / Date, Alarm, MD and Exact Search (accurate to second)
	Playback Mode	Instant playback, general playback, event playback, tag playback, smart playback (face and motion detection)
	Backup	USB Device/Network
Storage	Internal HDD	1 SATA port, up to 8 TB capacity
	eSATA	N/A
Auxiliary Interface	USB	2 USB ports (1 USB 2.0, 1 USB 3.0)
	RS485	1 Port, for PTZ Control
Electrical	Power Supply	12 VDC/2A
	Power Consumption (Without HDD)	≤10W
Construction	Dimensions	Compact 1U, 260mm × 220mm × 44mm (10.24" × 9.34" × 1.8")
	Net Weight	≤ 1.1 kg (2.43 lb) (without HDD)
	Installation	Desktop installation
Environmental	Operating Conditions Humidity	-10°C ~ +55°C (+14°F ~ +131°F), 10% ~ 90% RH

* All product names, logos and brands are property of their respective owners. All company products and service names used on this box/website/brochure are for identification purposes only. Use of these names, logos and brands does not imply endorsement. 2022 WatchNET Inc. © All Rights Reserved All product specifications are subject to change without notice.

CANADA:
351 Ferrier Street, Unit 5
Markham, ON L3R 5Z2
Toll Free: 1-866-843-6865
Tel: 416-410-6865

USA:
171 Cooper Ave. Suite 110
Tonawanda, NY 14150 USA
Toll Free: 1-866-843-6865
Local: 1-716-877-7277

UAE:
P O Box 126312
No 703, Oxford Towers
Business Bay, Dubai, UAE
Tel: + 971 4 2767117

Jan. 07, 2022

info@watchnetinc.com
www.watchnetinc.com