



MPIX-50VDFAIE

5MP IR Fixed-focal Dome Network Camera



KEY FEATURES:

- 5-MP 1/2.7" CMOS image sensor, low luminance, & high definition image.
- Outputs max. 5 MP (2592 × 1944) @20 fps, & supports 4 MP (2688 × 1520) @25/30 fps.
- H.265 codec, high compression rate, ultra-low bit rate.
- Built-in IR LED, & the max. illumination distance is 30 m.
- ROI, SMART H.264+/H.265+, flexible coding, applicable to various bandwidth & storage environments.
- Rotation mode, WDR, 3D NR, HLC, BLC, digital watermarking, applicable to various monitoring scenes.
- Intelligent monitoring: Intrusion & tripwire(the two functions support the classification & accurate detection of vehicle & human).
- Abnormality detection: Motion detection, video tampering, scene changing, audio detection, no SD card, SD card full, SD card error, network disconnection, IP conflict, illegal access, & voltage detection.
- Supports max. 256 G Micro SD card;built in 1-channel MIC.
- 12 VDC/PoE power supply, easy for installation.
- IP67 & IK10 protection.
- Smart Motion Detection PRO.

CAMERA	
Image Sensor	1/2.7" CMOS
Max. Resolution	2592 (H) × 1944 (V)
ROM	128 MB
RAM	512 MB
Scanning System	Progressive
Electronic Shutter Speed	Auto/Manual 1/3 s–1/100,000 s
Min. illumination	0.005 lux@F1.6(Color,30 IRE) 0.0005 lux@F1.6(B/W,30 IRE) 0 lux (Illuminator on)
S/N Ratio	>56 dB
Illumination Distance	30 m (98.43 ft) (IR)
Illuminator On/Off Control	Auto/Manual
Illuminator Number	3 (IR LED)
Pan/Tilt/Rotation Range	Pan: 0°–355° Tilt: 0°–65° Rotation: 0°–355°

LENS	
Lens Type	Fixed-focal
Lens Mount	M12
Focal Length	2.8 mm
Max. Aperture	F1.6
Field of View	H: 97°; V: 71° ; D: 129°
Iris type	Fixed
Close Focus Distance	1.1 m (3.61 ft)

DORI DISTANCE				
Lens	Detect	Observe	Recognize	Identify
2.8 mm	63.6 m (208.66 ft)	25.4 m (83.33 ft)	12.7 m (41.67 ft)	6.4 m (21.00 ft)

NETWORK	
Network	RJ-45 (10/100 Base-T)
SDK & API	Yes
Network Protocol	IPv4; IPv6; HTTP; TCP; UDP; ARP; RTP; RTSP; RTCP; RTMP; SMTP; FTP; SFTP; DHCP; DNS; DDNS; QoS; UPnP; NTP; Multicast; ICMP; IGMP; NFS; SAMBA; PPPoE; SNMP
Interoperability	ONVIF (Profile S/Profile G/Profile T); CGI; P2P; Milestone; Genetec
User/Host	20 (Total bandwidth: 64 M)
Storage	FTP; SFTP; Micro SD card (support max. 256 GB); NAS
Browser	IE Chrome Firefox
Mobile Client	iOS; Android
Cyber Security	Video encryption; firmware encryption; configuration encryption; Digest; WSSE; account lockout; security logs; IP/MAC filtering; generation & importing of X.509 certification; syslog; HTTPS; 802.1x; trusted boot; trusted execution; trusted upgrade

AUDIO	
Audio Compression	G.711a; G.711Mu; PCM; G.726
Built-in MIC	Yes

VIDEO	
Video Compression	H.265; H.264; H.264H; H.264B; MJPEG (Only supported by the sub stream)
Smart Codec	Smart H.265+; Smart H.264+
Video Frame Rate	Main stream: 2592 × 1944@(1–20 fps)/2688 × 1520@(1–25/30 fps) sub stream: 704 × 576@(1–25 fps)/704 × 480@(1–30 fps)
Stream Capability	2 streams
Resolution	5M (2592 × 1944); 4M (2688 × 1520); 3M (2304 × 1296); 1080p (1920 × 1080); 1.3M (1280 × 960); 720p (1280 × 720); D1 (704 × 576/704 × 480); VGA (640 × 480); CIF (352 × 288/352 × 240)
Bit Rate Control	CBR/VBR
Video Bit Rate	H.264: 3 kbps–8192 kbps H.265: 3 kbps–8192 kbps
Day/Night	Auto (ICR)/Color/B/W
BLC	Yes
HLC	Yes
WDR	120dB
Scene Self-adaptation (SSA)	Yes
White Balance	Auto/natural/street lamp/outdoor/manual/regional custom
Gain Control	Auto/Manual
Noise Reduction	3D NR
Motion Detection	OFF/ON (4 areas, rectangular)
Region of Interest	Yes (4 areas)
Smart Illumination	Yes
Image Rotation	0°/90°/180°/270° (Support 90°/270° with 2688 × 1520 resolution & lower)
Mirror	Yes
Privacy Masking	4 areas

ADVANCED INTELLIGENCE	
Fenced Area Protection	Tripwire; intrusion(the two functions support the classification & accurate detection of vehicle & human)
Intelligent Search	Work with AI NVR to perform refine intelligent search, event extraction & merging to event videos

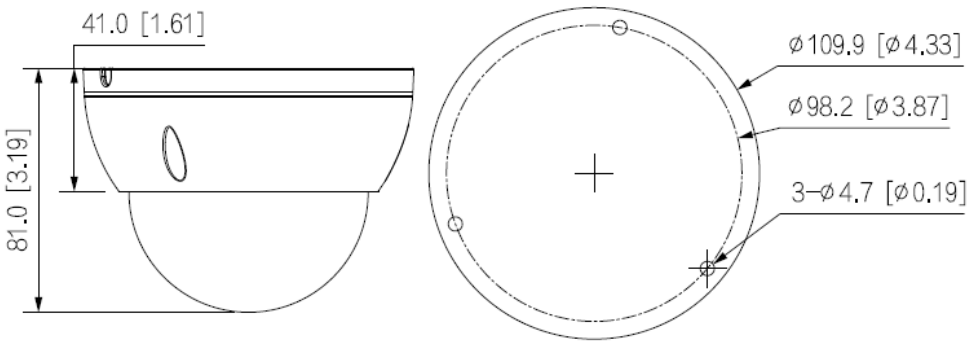
ALARM	
Alarm Event	No SD card; SD card full; SD card error; network disconnection; IP conflict; illegal access; motion detection; video tampering; tripwire; intrusion; scene changing; audio detection; voltage detection; SMD; security exception

POWER	
Power Supply	12 VDC/PoE (802.3af)
Power Consumption	Basic: 3 W (12 VDC); 3.5 W (PoE) Max(WDR + IR intensity + Intelligence on): 6 W (12 VDC); 7.2 W (PoE)

STRUCTURE	
Casing Material	Metal
Product Dimensions	81.0 mm × Φ109.9 mm (3.19" × Φ4.33")
Net Weight	351g (0.8 lb)
Gross Weight	495g (1.1 lb)

ENVIRONMENT	
Operating Temperature	-40 °C to +60 °C (-40 °F to +140 °F)
Operating Humidity	≤95%
Storage Temperature	-40 °C to +60 °C (-40 °F to +140 °F)
Protection	IP67; IK10

ACCESSORIES	
BRACK-BB-44	
BRACK WM 48	
BRACK PM 06	



WatchNET



*All logos & trade marks represent the registered users only. All rights reserved.

*All product specifications on this brochure are subject to change without notice.

CANADA:
351 Ferrier Street Unit 5
Markham, Ontario L3R 5Z2
Tel: 416-410-6865
Toll Free: 1-866-843-6865

USA:
171 Cooper Ave.
Suite 110 Tonawanda,
NY 14150 USA
Tel: 1-716-877-7277
Toll Free: 1-866-843-6865

MIDDLE EAST:
PO Box No 126312
Office Suite 703 Oxford Tower
Business Bay Dubai, UAE
Tel: + 971 4 2767117

www.watchnetinc.com
info@watchnetinc.com