

HAWK

Powered by NetFLOW



HAWK16

16 Channel VMS Server for NetFLOW

(without AI & Video Analytics)

Ideal server for small installations with the freedom to scale up

The Hawk server series is designed to fit numerous sizes of installations from small commercial setup to the massive enterprise class solutions. Hawk's range works seamlessly with NetFLOW to provide the performance and reliability needed for you to get the most out of your video management solution.

Server Specification for HAWK16

CPU	i5 Performance CPU
Mother Board	13th GEN CPU / Mother Board LGA1700
RAM	32GB RAM
OS Drive & HDD	1 TB OS drive & built-in 8TB HDD
Case	4U Rackmount
Storage	4 HDD slot (no hotswap)
Windows	Windows 10 IoT
Software	Preloaded with NetFLOW

ROBUST & RESILIENT

Reliable and simple setup

The Hawk model is made to support smaller sites with few cameras and minimal need to view real-time footage locally. Data is saved locally or sent to a central data location to ensure continuous recording. Ideal for multi-site installations like retail stores, gas stations and ATMs, Hawk16 provides a simple, low-cost setup that merges seamlessly with your NetFLOW software.

Unveiling the Ultimate Video Surveillance Solution for NetFLOW

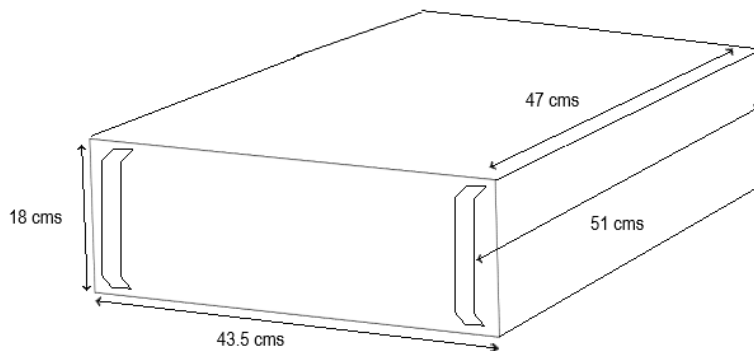
Discover the Unparalleled benefits of choosing Hawk for your business. From exceptional support and effortless installation to the outstanding performance of our products, Hawk guarantees an unparalleled enhancement to your video management experience.

Experience the Ease & Convenience

HAWK is pre-loaded with NetFLOW, saving you time on setup and installation. Just add your NetFLOW license code and it's ready to go. It's also easy to manage and service, freeing up time to spend on more important aspects of your project.

- Pre-loaded with NetFLOW
- Seamless setup with
- Hawk easy license activation

*Please contact your sales representative if you are going to use AI & Video Analytics function in this server. This server is meant for up to 16 channel video recording without AI & Video Analytics



*All logos & trade marks represent the registered users only. All rights reserved.

*All product specifications on this brochure are subject to change without notice.

CANADA:
351 Ferrier Street Unit 5
Markham, Ontario L3R 5Z2
Tel: 416-410-6865
Toll Free: 1-866-843-6865

USA:
171 Cooper Ave.
Suite 110 Tonawanda,
NY 14150 USA
Tel: 1-716-877-7277
Toll Free: 1-866-843-6865

MIDDLE EAST:
PO Box No 126312
Office Suite 703 Oxford Tower
Business Bay Dubai, UAE
Tel: + 971 4 2767117

www.watchnetinc.com
info@watchnetinc.com