

Water-proof Junction Box



BRACK-BB-44

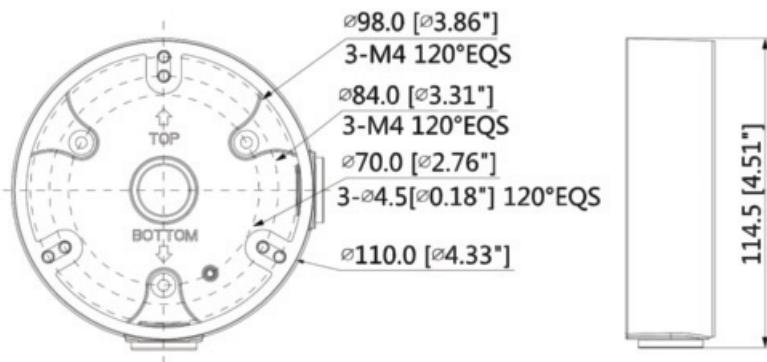
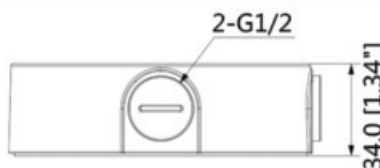


- Aesthetic design
- Water-proof junction box
- Material: Aluminum
- Color: White

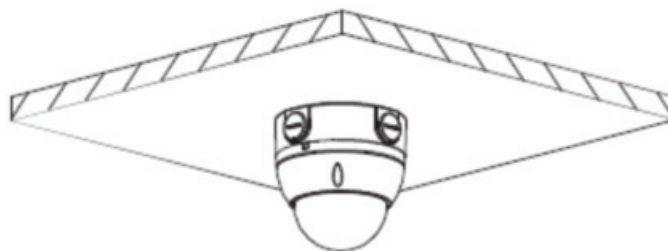
Model	BRACK-BB-44
General	
Material	Aluminum
Dimension	Φ110.0mmx34.0mm(Φ4.33"x1.34")
Inch Thread	M20(G1/2")
Load Bearing	1.0kg(2.2lb)
Weight	0.19kg(0.42lb)
Color	White
Operating Temperature	-40°C ~ 60°C (-40°F ~ 140°F)
Humidity	<90% RH

Package Information:

- Water-proof junction box
- M4x10 screw x3
- ST4x25 screw x3
- Plastic anchor x3
- Water joint x1
- Wrench x1



Application



All logos & trade marks represent the registered users only. All rights reserved.
All product specifications on this brochure are subject to change without notice.

CANADA:
351 Ferrier Street, Unit 5
Markham, ON L3R 5Z2
Toll Free: 1-866-843-6865
Tel: 416-410-6865
Fax: 1-866-331-3341

USA:
171 Cooper Ave. Suite 110
Tonawanda, NY 14150 USA
Toll Free: 1-855-404-3193
Local: 1-716-877-7277
Fax: 1-866-331-3341

March 05, 2019

info@watchnetinc.com
www.watchnetinc.com

INDIA:
RZ- 2, Ground Floor
Kapashera
Opp Kapashera Police Station
New Delhi-110037
Tel/Fax: + 91 11 25060481

UAE:
P O Box 126312
No 703, Oxford Towers
Business Bay
Dubai, UAE
Tel: + 971 4 2767117