



AVCMC7

SIP 7" Master Door Station with 2.1MP Camera & Card Reader

Perfect Video Access Control for Commercial/Multi-Residential Application

Verified Access Control is the key to a building's security.

WatchNET's smart IP Video Door phone AVCMC7 enables you to easily monitor any entry point to the facility with integrated video, audio and access card.

KEY FEATURES:

- ❖ WatchNET's Video Door Phone is using SIP technology allows users to communicate with residents or clients through mobile phone, ensuite monitor station or desktop display telephone system and ability to remotely control the door/gate
- ❖ WatchNET's AVCMC7 can communicate with IP to IP, EPBX, hosted SIP server and legacy telephone lines using adaptor AVCSS10
- ❖ Integrated HD video 1080p camera can be connected to any NVR that supports ONVIF protocol for viewing and recording
- ❖ Available CMS (Central Management Software) can control multiple door phones for easy user management and configuration
- ❖ Uses the latest H.264 video and G.722 audio codec to provide you with the highest quality video image and audio clarity. Easy to use Android platform and user interface
- ❖ Allows integration with existing access control system and postal lock control



Dust-proof



Vandal resistant



Water resistant



Available Accessory
WN-AVCPLK
Postal Lock Box



AVCSS10
SIP Server



Physical & Power

Size: 317x130x23mm/12.5"x5.12"x0.9" (HxLxP)
 Weight: 1.34kg / 2.59lb
 Body material: all-aluminum
 Display: 7" IPS LCD
 Screen: 7" capacitive touch screen
 Camera: 2.1 Mega pixels, automatic lighting
 IR Sensor
 12V DC connector
 Water-proof & Dust-proof: IP65
 Collision-proof: IK06

SIP Endpoint

SIP v1(RFC2543), SIP v2(RFC3261)
 Audio codecs: G.711a, G.711µ, G.722
 Video codecs: H.263, H.264
 Echo Cancellation
 Voice Activation Detection
 Comfort Noise Generator

Video

Resolution: up to 1080p
 Maximum image transfer rate: 1080p - 30fps
 High intensity white LEDs for picture lighting during dark hours with internal light sensor

Networking

10/100 Mbps Ethernet connection
 DHCP Client or Static IP
 Network-Time-Protocol

Door Entry Feature

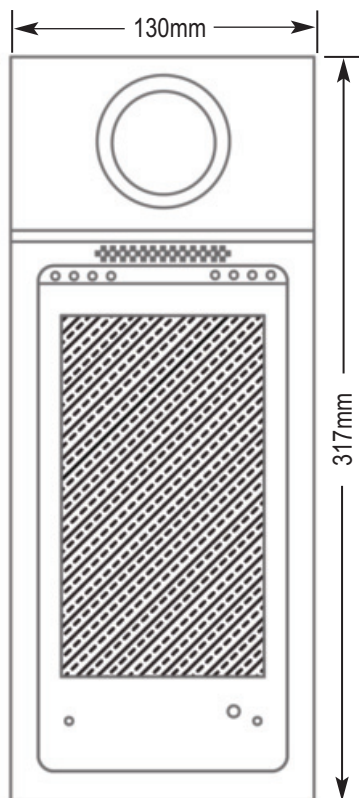
Android OS for any 3rd party software or customization
 Internal DPDT relay for controlling a door opener
 Relays controlled individually by DTMF tones or messages
 Multi-way Unlock: Face (optional), IC Card, Password Number and Gestures
 G-sensor for self-defence alarm
 Volume control for speaker
 Gain control for microphone
 Live ONVIF camera for 24 hours
 White balance: auto
 Viewing angle: 72°
 Auto-night mode with LED illumination
 Minimum illumination: 1LUX (without LED illumination)
 Max call length setting

Application Scenarios

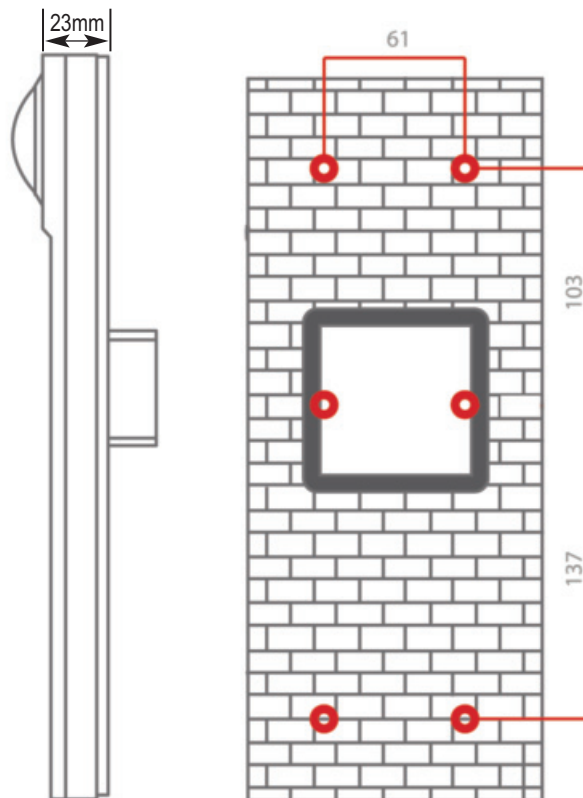
Office door phone with on-site or hosted IP-PBX
 Remote site entry over Internet
 Apartment / office intercom with door access control
 Business welcome message for guests



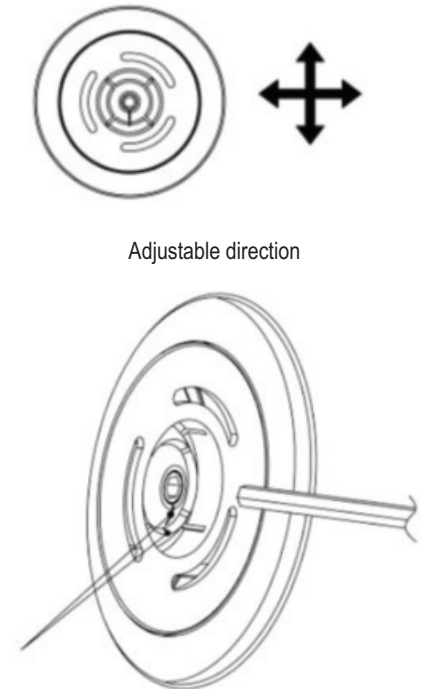
1. **Water-resistant** - Water & Dust resistant: IP65
2. **Ultra wide angle HD lens** - Polycarbonate lens cover, Water & Condensation proof coating 27° adjustable angle camera
3. **Speaker** - HD Sound quality all weather speaker with volume control
4. **Lumination** - White LED light with sensor activation for superior color reproduction
5. **Shock resistant touch screen** - 2.2mm tempered glass with hydrophobic surface
6. **Super thin body** - 23mm rigid all aluminum body, Leds and camera are separate
7. **RF Card Integration** - Programmable for scheduled access control



Dimensions
AVCMC7



Installation height
It is recommended 1.6m from floor level



Adjustable direction

Position alignment
Adjust camera angle

All product specifications are subject to change without notice.
 All logos & trade marks represent the registered users only. All rights reserved.

CANADA:
 351 Ferrier Street, Unit 5
 Markham, Ontario
 L3R 5Z2, Canada
 Tel: 416-410-6865
 Fax: 1-866-331-3341
 Toll Free: 1-866-843-6865

USA:
 171 Cooper Avenue, Site 110
 Tonawanda, NY
 14150 USA
 Toll Free: 1-855-404-3193
 Local: 1-716-877-7277
 Fax: 1-866-331-3341

www.watchnetinc.com
info@watchnetinc.com

UAE:
 P O Box No 126312
 Office Suite 703
 Oxford Towers, Business Bay
 Dubai, UAE
 Tel: + 971 4 2767117

INDIA:
 RZ- 2, Ground Floor
 Kapashera
 Opp Kapashera Police Station
 New Delhi-110037
 Tel/Fax: +91 11 25060481