



# NET Audio Box (SIP)

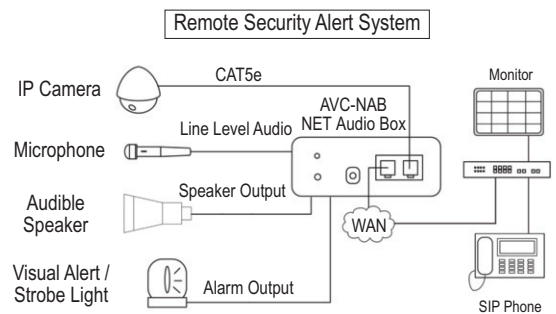
AVCNAB

## SIP Based Audio Box

WatchNET's SIP based Audio Box provides a dedicated high performance digital amplifier, best suited to broadcast announcements or play background music. Built-in 3.5 Watt amplifier can drive indoor / outdoor speakers for paging and can work as a centralized music distribution system to play background music and advertisements. Easy web based interface to configure the unit with any SIP based telephone system. Four user controllable outputs to activate auxiliary devices during paging (Strobe Light, Gate, etc). With the use of a microphone, this device can also monitor audio or act as a two way communication device. With dual POE pass through ports, an IP camera can be connected and monitored on a remote station (VMS). NET Audio Box is the most flexible solution for paging, intercom, conference and door phone system that can be used in multiple environments like Schools, Offices, Monitoring Stations, Airports, Factories, etc.

### Features

- ❖ Supports G.711,G.722,G.723,G.726,G.729 audio codecs
- ❖ Supports SIP2.0 (3261) and related RFC protocol
- ❖ Supports Power over Ethernet (PoE)
- ❖ The DSP integrated echo cancellation and noise suppression provides clearer voice
- ❖ Easy management and configuration from web interface
- ❖ Supports encrypted communication
- ❖ Online update of software



### Available Accessories



WTSSP30

WTSSP30 is a rugged 30 Watt, 8 Ohm speaker mounted in a tamper resistant, "No Rust" enclosure. It features two sealed reed tamper switches, one on the back plate and one on the front cover. The stainless steel naturally reflects the mounting surface and blends easily with any residential or commercial building.

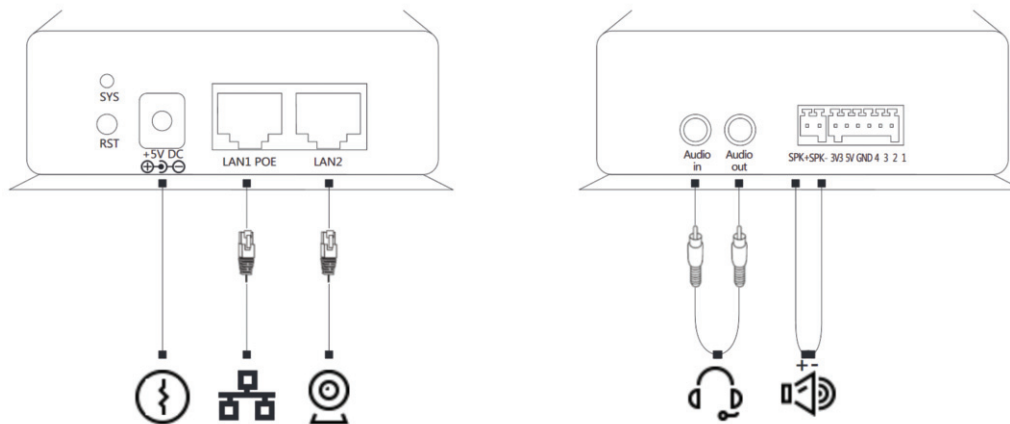


WTSPH40

Heavy duty, weatherproof, home speaker when maximum volume and clarity are a must. Great for voice or sounds! Ideal for paging and announcement of warnings from monitoring station to prevent loitering.

## System Specifications:

<b>Telephony Protocol</b>		SIP 2.0 (RFC3261)
<b>CPU</b>		MIPS+DSP
<b>Keypad Expansion</b>		Supports 4×6 for a total of 24 keys
<b>LCD Expansion</b>		Supports SPI mode (Custom)
<b>Voice</b>	Microphone	1 onboard connector
	Speaker Output	3.5W
	Speaker Impedance	4Ω
	Headset	3.5mm standard input/output interface
	DSP	Supports echo cancellation and noise suppression
<b>Voice Stream</b>	Supported protocol	RTP
	Codec	G.711,G.722,G.723,G.726,G.729, etc.
<b>Other Interface</b>	Input Power	5V/1A DC
	PoE	PoE 802.3af (Class 0 - 12.95W)
	LAN	2x10/100BASE-T s Auto-MDIX, RJ45
	RS232	Optional
	GPIO	4 programmable output pins
<b>Environment</b>	Operation Temperature	0°C to 40°C / 32°F to 104°F
	Storage Temperature	-40°C to 70°C / -40°F to 158°F
	Humidity	10% to 95%, No Dew
<b>Weight</b>	Inner box	265mm × 115mm × 60mm / 10.43" × 4.53" × 2.36"
	G.W./unit	0.5 Kg / 1.10 Lb



All product specifications are subject to change without notice.  
All logos & trade marks represent the registered users only. All rights reserved.

**CANADA:**  
351 Ferrier Street, Unit 5  
Markham, Ontario  
L3R 5Z2, Canada  
Tel: 416-410-6865  
Fax: 1-866-331-3341  
Toll Free: 1-866-843-6865

**USA:**  
171 Cooper Avenue, Site 110  
Tonawanda, NY  
14150 USA  
Toll Free: 1-855-404-3193  
Local: 1-716-877-7277  
Fax: 1-866-331-3341

[www.watchnetinc.com](http://www.watchnetinc.com)  
[info@watchnetinc.com](mailto:info@watchnetinc.com)

**UAE:**  
P O Box No 126312  
Office Suite 703  
Oxford Towers, Business Bay  
Dubai, UAE  
Tel: + 971 4 2767117

**INDIA:**  
RZ- 2, Ground Floor  
Kapashera  
Opp Kapashera Police Station  
New Delhi-110037  
Tel/Fax: +91 11 25060481