

## 4MP HD WDR Long Range Bullet IR Camera



MPIX-40-BILR

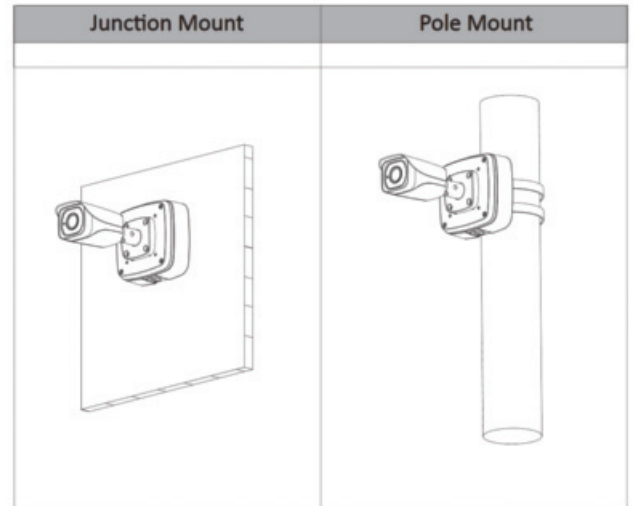


4MP HD WDR Long Range  
Bullet IR Camera



### Features:

- ❖ 1/3" 4Megapixel progressive scan CMOS
- ❖ H.265&H.264 triple-stream encoding
- ❖ 25/30fps@4Mp(2688×1520)
- ❖ Smart Detection supported
- ❖ WDR(120dB), Day/Night(ICR), 3DNR, AWB, AGC, BLC
- ❖ 7mm - 35mm 5x zoom lens
- ❖ 2/1 Alarm in/out, 1/1 audio in/out
- ❖ Max. IR LEDs Length 100m/328ft
- ❖ Micro SD memory, IP67, PoE
- ❖ Multiple network monitoring:  
Web viewer, eVMS-PRO & HD-VMS
- ❖ Smart phones compatible



Optional Brackets:



BRACK-BB-53



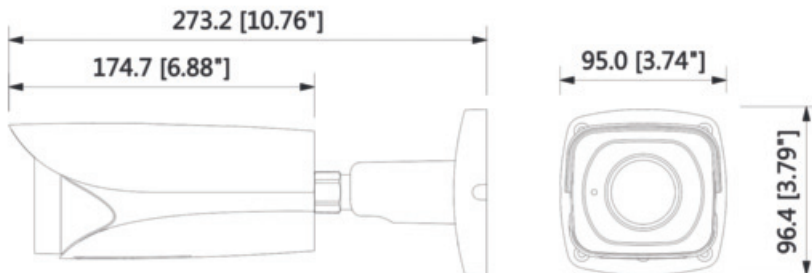
BR-POLE-MXC



BR-CORN-MXC



iPhone



### PRODUCT OVERVIEW

The 4 Megapixel long range bullet IR camera delivers exemplary video resolution with a motorized 7mm ~35mm varifocal lens. The camera's elegant blend of aesthetics combined with a range of easy mounting solutions provides an excellent choice for a variety of applications. It saves bandwidth and storage, energy-saving design to enhance the monitoring system. The camera offers excellent features such as Smart IR technology & intelligent image analysis techniques. It provides great image quality and intelligent and efficient event reminders. This series provides IP67 weatherproof feature.

### SYSTEM FUNCTIONS

#### Smart Compression (H.265+)

Delivering highest video quality without catheterize the network & bandwidth, Smart H.265+ codec is the optimized implementation of H.265. The Smart H.265+ encoding platform includes a scene adaptive encoding strategy, dynamic GOP, dynamic ROI, flexible multi-frame reference structure and intelligent noise reduction, providing a savings of up to 70% of bandwidth and storage when compared with standard H.265. High Efficiency Video Coding (HEVC) H.265 standard developed around the existing video coding standard H.264.

#### Wide Dynamic Range

Embedded with industry's leading wide dynamic range (WDR) technology, vivid pictures are achieved even in the most intense contrast lighting conditions. For applications with both bright and low lighting conditions that change quickly, True WDR (120dB) optimizes both the bright and dark areas of a scene at the same time to provide usable video.

#### Intelligent Video Analytics

The long range WDR bullet IR camera has the ability to detect and analyze moving objects for improved video surveillance with built-in intelligent video analytics. The camera provides optional standard intelligence at the edge allowing detection of multiple object behaviors such as abandoned or missing objects. IVS also supports Line Detection Tampering analytics, allowing the camera to detect when a pre-determined line has been crossed, People Counting, ideal for business intelligence and Facial Detection, for searching or identification of individuals.

#### Smart IR feature

With IR illumination, detailed images can be captured. The camera's Smart IR technology adjusts to the intensity of camera's infrared LEDs to compensate for the distance of an object. Smart IR technology prevents IR LEDs from whitening out images as they come closer to the camera. The camera's integrated infrared illumination provides high performance in extreme low-light environments up to Distance up to 100m (328ft).

#### Voltage Tolerance & Protection

Supporting  $\pm 30\%$  input voltage tolerance, this camera suits even the most unstable conditions for outdoor applications. Its 4KV lightning rating provides protection against the camera and its structure from the effects of lightning.

#### Interoperability

The camera conforms to the ONVIF (Open Network Video Interface Forum), PSIA, CGI specifications, ensuring interoperability between network video products regardless of any manufacturer.

Model	MPIX-40-BILR				
<b>Camera</b>					
Image Sensor	1/3" 4Megapixel progressive CMOS				
Effective Pixels	2688(H) x 1520(V)				
Mini. Illumination	0.03Lux/F1.4 (Color,1/3s,30IRE) 0.3Lux/F1.4 (Color,1/30s,30IRE) 0Lux/F1.4(IR on)				
RAM / ROM	512MB / 32MB				
S/N Ratio	More than 50dB				
Electronic Shutter Speed	Auto/Manual, 1/3~1/100000s				
IR Distance	Up to 100m/328ft				
Scanning System	Progressive				
IR On / Off Control	Auto / Manual				
IR LEDs	4				
<b>Lens</b>					
Lens Type	Motorized / Auto Iris(HALL)				
Focal Length	7mm - 35mm				
Max. Aperture	F1.4				
Angle of View	H: 32°~10°, V:18°~6°				
Mount Type	Board-in Type				
Optical Zoom	5x				
Distance	Lens	Detect	Observe	Recognise	Identify
	W	190m(623ft)	76m(249ft)	38m(124ft)	19m(62ft)
	T	620m(2034ft)	248m(813ft)	124m(406ft)	62m(203ft)
<b>Video</b>					
Compression	H.265+ / H.265 / H.264+ / H.264				
Streaming Capability	3 Streams				
Bit Rate	H.264: 24~10240Kbps H.265: 14~9984Kbps				
Bit Rate Control	CBR / VBR				
Resolution	4M(2688×1520)/3M(2304×1296)/ 1080P(1920×1080)/1.3M(1280×960)/ 720P(1280×720)/D1(704×576/704×480)/ VGA(640×480)/CIF(352×288/352×240)				
Frame Rate	<b>Main Stream:</b> 4M(1~25/30fps) <b>Sub Stream:</b> D1(1~25/30fps) <b>Third Stream:</b> 720P(1~25/30fps)				
Day/Night	Auto (ICR) / Color / B/W				
BLC Mode	BLC / HLC / WDR (120dB)				
White Balance	Auto / Natural / Street Lamp / Outdoor / Manual				
Gain Control	Auto / Manual				
Noise Reduction	3D DNR				
Motion Detetion	Off / On (4 Zone, Rectangle)				
Region of Interest	Off / On (4 Zone)				
Flip	0°/90°/180°/270°				
Mirror	Off / On				
Smart IR	Supported				
Digital Zoom	16x				
Privacy Masking	Off / On (4 Area, Rectangle)				

<b>Intelligence</b>	
IVS	Tripwire, Intrusion, Object Abandoned/Missing
Advanced Intelligent Functions	Face Detection
<b>Audio</b>	
Compression	G.711a / G.711Mu / AAC / G.726
<b>Network</b>	
Ethernet	RJ-45 (10/100Base-T)
Protocol	HTTP; HTTPs; TCP; ARP; RTSP; RTP; UDP; SMTP; FTP; DHCP; DNS; DDNS; PPPOE; IPv4/v6; QoS; UPnP;NTP; Bonjour; 802.1x; Multicast; ICMP; IGMP; SNMP
Interoperability	ONVIF, PSIA, CGI
Streaming Method	Unicast / Multicast
Max. User Access	10 Users / 20 Users
Edge Storage	NAS Local PC for instant recording Mirco SD card 128GB
Web Viewer	IE, Chrome, Firefox, Safari
Management Software	HD-VMS & eVMS-PRO (Enterprise Class VMS Software)
Smart Phone App	MVS-Lite, MVS-Pro & eVMS-Pro (Android & iOS)
<b>Certifications</b>	
Certifications	CE, FCC & RoHS
<b>Interface</b>	
Video Interface	N/A
Audio Interface	1/1 channel In/Out
RS485	N/A
Alarm	2 channel In: 5mA 5VDC 1 channel Out: 300mA 12VDC
<b>Electrical</b>	
Power Supply	DC12V PoE (802.3af)(Class 0)
Power Consumption	<11.5W
<b>Environmental</b>	
Operating Conditions	-30° C ~ +60° C (-22° F ~ +140° F) Less than 95% RH
Storage Conditions	-30° C ~ +60° C (-22° F ~ +140° F) Less than 95% RH
Protection Level	Ingress Protection – IP67
Vandal Resistance	N/A
<b>Construction</b>	
Casing	Metal
Dimensions	273.2mm × 95.0mm × 96.4mm (10.76" × 3.74" × 3.79")
Net Weight	1.07Kg (2.36lb)
Gross Weight	1.4Kg (3.09lb)

All logos & trade marks represent the registered users only. All rights reserved.  
All product specifications on this brochure are subject to change without notice.

**CANADA:**  
351 Ferrier Street, Unit 5  
Markham, ON L3R 5Z2  
Toll Free: 1-866-843-6865  
Tel: 416-410-6865  
Fax: 1-866-331-3341

**USA:**  
171 Cooper Ave. Suite 110  
Tonawanda, NY 14150 USA  
Toll Free: 1-855-404-3193  
Local: 1-716-877-7277  
Fax: 1-866-331-3341

[info@watchnetinc.com](mailto:info@watchnetinc.com)  
[www.watchnetinc.com](http://www.watchnetinc.com)

**INDIA:**  
RZ- 2, Ground Floor  
Kapashera  
Opp Kapashera Police Station  
New Delhi-110037  
Tel/Fax: +91 11 26816005

**UAE:**  
PO Box 126312  
No 703, Oxford Towers  
Business Bay  
Dubai, UAE  
Tel: +971 4 2767117