

4MP WDR TURRET NETWORK CAMERA WITH MICROPHONE

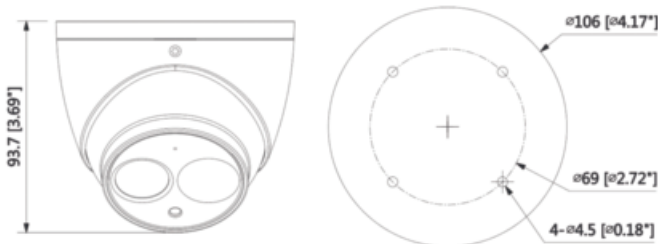
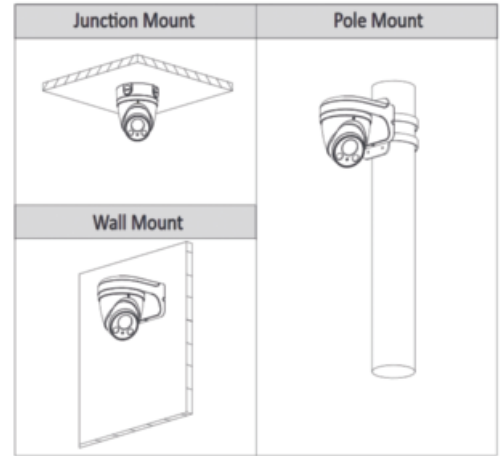


MPIX-40IRBVT-A



Features:

- ❖ 1/3" 4Megapixel progressive scan CMOS
- ❖ 25/30fps@4M(2688×1520)
- ❖ H.265 & H.264 triple-stream encoding
- ❖ Max. IR LEDs Length 50m/164feet
- ❖ WDR(120dB), Day/Night(ICR), 3DNR, AWB, AGC, BLC
- ❖ Smart IR support
- ❖ 2.7mm ~12mm motorized lens
- ❖ Built-in Microphone
- ❖ Micro SD memory, IP67, PoE
- ❖ Multiple network monitoring:
Web viewer, eVMS-PRO & HD-VMS
- ❖ Smart Phone App -MVS-Lite, MVS-Pro & eVMS-Pro (Android & iOS)



iPhone



PRODUCT OVERVIEW

The 4 Megapixel Turret WDR Camera with H.265 encoding technology delivers exemplary video resolution. The camera saves bandwidth and storage, energy-saving design to enhance the monitoring system, smart IR technology, with built-in Microphone intelligent image analysis techniques. It provides excellent image quality and intelligent and efficient event reminders. This series provides IP67 weatherproof and IK10 vandal-proof protection feature.

SYSTEM FUNCTIONS

Smart Code (H.265+)

Delivering highest video quality without catheterize the network & bandwidth, Smart H.265+ codec is the optimized implementation of H.265. The Smart H.265+ encoding platform includes a scene adaptive encoding strategy, dynamic GOP, dynamic ROI, flexible multi-frame reference structure and intelligent noise reduction, providing a savings of up to 70% of bandwidth and storage when compared with standard H.265.

Wide Dynamic Range

Embedded with industry's leading wide dynamic range (WDR) technology, vivid pictures are achieved even in the most intense contrast lighting conditions. For applications with both bright and low lighting conditions that change quickly, True WDR (120dB) optimizes both the bright and dark areas of a scene at the same time to provide usable video.

Intelligent Video System (IVS)

With built-in intelligent video analytics, the camera has the ability to detect and analyze moving objects for improved video surveillance. The camera provides optional standard intelligence at the edge allowing detection of multiple object behaviors such as abandoned or missing objects. IVS also supports Tripwire analytics, allowing the camera to detect when a pre-determined line has been crossed, People Counting, ideal for business intelligence, and Facial Detection, for searching or identification of individuals.

HEVC (High Efficiency Video Coding: H.265)

H.265 ITU-T VCEG is a new video coding standard. H.265 Following standard developed around the existing video coding standard H.264, some retain the original technology, while some of the relevant technology to improve the new technology uses advanced technology to improve the relationship between the code stream, encoding quality, and the delay between algorithm complexity, optimize settings specific contents include: Improve compression efficiency, improve the robustness and error recovery capabilities, real-me to reduce the delay, reduce channel acquisition me and a random access delay, reduce complexity, etc.

Voltage Tolerance & Protection

Supporting $\pm 30\%$ input voltage tolerance, this camera suits even the most unstable conditions for outdoor applications. Its 4KV lightning rating provides protection against the camera and its structure from the effects of lightning. With a temperature range of $-30\text{ }^{\circ}\text{C}$ to $+60\text{ }^{\circ}\text{C}$ ($-22\text{ }^{\circ}\text{F}$ to $+140\text{ }^{\circ}\text{F}$), the camera is designed for extreme temperature environments. Subjected and certified to rigorous dust and water immersion tests, the IP67 rating makes it suitable for demanding outdoor applications.

Interoperability

The camera conforms to the ONVIF (Open Network Video Interface Forum) specifications, ensuring interoperability between network video products regardless of any manufacturer.

Model		MPIX-40IRBVT-A			
Camera					
Image Sensor	1/3" 4Megapixel progressive scan CMOS				
Effective Pixels	2688(H) x 1520(V)				
RAM/ROM	512MB / 32MB				
Scanning System	Progressive				
Electronic Shutter Speed	Auto/Manual, 1/3~1/100000s				
Minimum Illumination	0.03Lux/F1.4 (Color, 1/3s, 30IRE) 0.3Lux/F1.4 (Color, 1/30s, 30IRE) 0Lux/F1.4(IR on)				
S/N Ratio	More than 50dB				
IR Distance	Distance up to 50m (164ft)				
IR On/Off Control	Auto/ Manual				
IR LEDs	2				
Lens					
Lens Type	Motorized / Auto Iris(DC)				
Mount Type	Board-in				
Focal Length	2.7mm ~ 12mm				
Max. Aperture	F1.4				
Angle of View	H: 100°~35°, V:54°~20°				
Optical Zoom	4X				
Focus Control	Motorized				
Close Focus Distance	0.3m				
DORI Distance	Lens	Detect	Observe	Recognize	Identify
	W	68(223ft)	27m(89ft)	14m(46ft)	7m(23ft)
	T	192m(630ft)	77m(253ft)	39m(128ft)	19m(62ft)
Intelligence					
IVS	Tripwire, Intrusion, Object Abandoned/Missing				
Advanced Intelligent Functions	Face Detection				
Video					
Compression	H.265+/H.265/H.264+/H.264				
Streaming Capability	3 Streams				
Resolution	4M(2688x1520)/3M(2304x1296)/ 1080P(1920x1080)/ 1.3M(1280x960)/720P(1280x720)/D1(704x576/ 704x480)/VGA(640x480)/CIF(352x288/352x240)				
Frame Rate	Main Stream: 4M(1~25/30fps) Sub Stream: D1(1~25/30fps) Third Stream: 720P(1~25/30fps)				
Bit Rate Control	CBR/VBR				
Bit Rate	H.264: 24~10240Kbps H.265: 14~9984Kbps				
Day/Night	Auto(ICR) / Color / B/W				
BLC Mode	BLC / HLC / WDR(120dB)				

All logos & trade marks represent the registered users only. All rights reserved.
All product specifications on this brochure are subject to change without notice.

White Balance	Auto/Natural/Street Lamp/Outdoor/Manual
Gain Control	Auto/Manual
Noise Reduction	3D DNR
Motion Detection	Off / On (4 Zone, Rectangle)
Region of Interest	Off / On (4 Zone)
Electronic Image Stabilization(EIS)	N/A
Smart IR	Support
Defog	N/A
Digital Zoom	16x
Flip	0°/90°/180°/270°
Mirror	Off / On
Privacy Masking	Off / On (4 Area, Rectangle)
Audio	
Compression	G.711a/ G.711Mu/ AAC/ G.726
Interface	
Video Interface	N/A
Audio Interface	Built-in Mic
RS485	N/A
Alarm	N/A
Network	
Ethernet	RJ-45 (10/100Base-T)
Protocol	HTTP; HTTPS; TCP; ARP; RTSP; RTP; UDP; SMTP; FTP; DHCP; DNS; DDNS; PPPOE; IPv4/v6; QoS; UPnP;NTP; Bonjour; 802.1x; Multicast; ICMP; IGMP; SNMP
Interoperability	ONVIF, PSIA, CGI
Streaming Method	Unicast / Multicast
Max. User Access	10 Users / 20 Users
Edge Storage	NAS Local PC for instant recording Micro SD card 128GB
Web Viewer	IE, Chrome, Firefox, Safari
Management Software	HD VMS, eVMS-Pro (Enterprise class VMS software)
Smart Phone	MVS-Lite, MVS-Pro & eVMS-Pro (Android & iOS)
Certifications	
Certifications	CE, FCC, RoHS
Electrical	
Power Supply	DC12V, PoE (802.3af)(Class 0)
Power Consumption	<8.5W
Environmental	
Operating Conditions	-30° C ~ +60° C (-22° F ~ +140° F) Less than 95% RH
Storage Conditions	-30° C ~ +60° C (-22° F ~ +140° F) Less than 95% RH
Ingress Protection	IP67
Vandal Resistance	N/A
Construction	
Casing	Metal
Dimensions	Φ122mm×104.9mm (4.8"×4.13")
Net Weight	0.6Kg (1.32lb)
Gross Weight	0.71Kg (1.57lb)

CANADA:
351 Ferrier Street, Unit 5
Markham, ON L3R 5Z2
Toll Free: 1-866-843-6865
Tel: 416-410-6865
Fax: 1-866-331-3341

USA:
171 Cooper Ave. Suite 110
Tonawanda, NY 14150 USA
Toll Free: 1-855-404-3193
Local: 1-716-877-7277
Fax: 1-866-331-3341

info@watchnetinc.com
www.watchnetinc.com

INDIA:
RZ- 2, Ground Floor
Kapashera
Opp Kapashera Police Station
New Delhi-110037
Tel/Fax: +91 11 26816005

UAE:
PO Box 126312
No 703, Oxford Towers
Business Bay
Dubai, UAE
Tel: +971 4 2767117