



2.1MP Full HD 30x WDR  
Network IR PTZ Dome Camera



Wallmount Bracket Included



MPIX-21-IR-W-PTZ

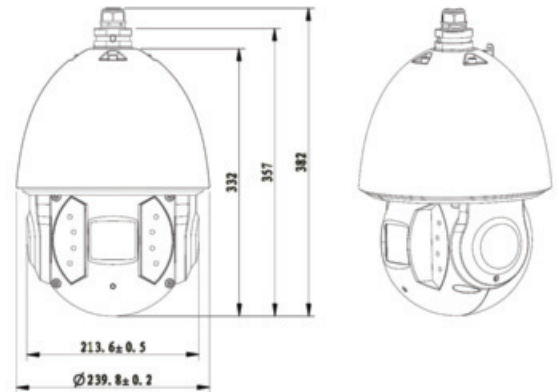


2.1MP Full HD 30x WDR  
Network PTZ Dome Camera

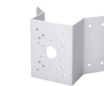


### PRODUCT FEATURES

- ❖ 1/1.9 2.1 Megapixel Exmor CMOS image sensor
  - ❖ Max 60fps@720p and 30fps@1080p resolution
  - ❖ Ultra-low light **sensefier** camera
  - ❖ 6mm - 180mm (30x Optical zoom)
  - ❖ IR LEDs up to 200m/656feet
  - ❖ H.264 & MJPEG dual-stream encoding
  - ❖ Max 240°/s pan speed, 360° endless pan rotation
  - ❖ Up to 300 presets, 5 auto scan, 8 tour, 5 pattern
  - ❖ Defog, WDR, EIS, ROI, Day/Night(ICR), DNR (2D&3D), Auto iris, Auto focus, AWB, AGC, BLC
  - ❖ Support intelligent 3D positioning
  - ❖ Built-in 7/2 alarm in/out
  - ❖ Phone, iPad, Android, Windows Phone supported
  - ❖ Micro SD memory, IP67, IK10, Hi-PoE
  - ❖ Multiple network monitoring:  
Built-in web server & Multifunction VMS
  - ❖ Support Multicast
- \* **Bracket and Power supply included**



Optional Brackets:



BR-CORN-MXC



BR-POLE-MXC



WTC-A10-K



Professional 64 CH NetFLOW LT  
FREE Software included



iPhone



Model Number	MPIX-21-IR-W-PTZ
<b>Camera</b>	
Image Sensor	1/1.9" 2.1MP Exmor CMOS High definition sensor
Scanning System	Progressive scan
Effective Pixels	1944(H) x 1092(V), 2.1 Megapixels
Min Illumination	Color: 0.005Lux@F1.6; B/W: 0.0005Lux@F1.6; 0Lux (IR on)
Electronic Shutter Speed	1/1 ~ 1/30,000s
Video Output	BNC(1.0Vp-p/75Ω), PAL / NTSC
S/N Ratio	More than 56dB
<b>Lens</b>	
Max. IR LEDs Length	200m / 656feet
Max Aperture	F1.6 ~ F4.8
Focal Length	6mm - 180mm (30x Optical zoom)
Angle of View	H: 61.2° ~ 2.32°
Focus/Gaun Control	Auto / Manual
Close Focus Distance	100mm ~ 1000mm
<b>Features</b>	
Day/Night	Auto(ICR) / Color / B/W
White Balance	Auto, ATW, Indoor, Outdoor, Manual
Backlight Compensation	BLC / HLC / WDR (120dB)
Noise Reduction	Ultra DNR (2D/3D)
Digital Zoom	16x
Privacy Masking	Up to 24 areas
<b>PTZ</b>	
Manual Control Speed	Pan: 0.1° ~240° /s; Tilt: 0.1° ~120° /s
Preset Speed	Pan: 240° /s; Tilt: 200° /s
Pan/Tilt Range	Pan: 0° ~ 360° endless; Tilt: -20° ~ 90°, auto flip 180°
Preset Speed	300
Speed Setup	Auto focal length / Speed adaptation
PTZ Mode	5 Pattern, 8 Tour, Auto Pan, Auto Scan
Idle Action	Activate Preset / Pan / Scan / Tour / Pattern if there is no command in the specified period
Power up Action	Auto restore to previous PTZ and lens status after power failure
Time Task	Auto activation of Preset / Pan / Scan / Tour / Pattern by preset-time
Protocol	WatchNET/Pelco - P or D Protocol (Auto recognition)
<b>Video</b>	
Compression	H.264 / MJPEG
Resolution	1080p(1920×1080) / 720p(1280×720) / D1(704×576/704×480) / CIF(352×288/352×240)
Bit Rate	H.264: 56K ~ 8192Kbps, MJPEG: 56K ~ 20480Kbps
Frame Rate	Main Stream: 1080p/ D1 (1 ~ 25/30fps), 720p(1~50/60fps) / Sub Stream 1: D1/CIF(1 ~ 25/30fps) / Sub Stream 2: 720P/D1/CIF(1 ~ 25/30fps)
Bit Rate	H.264: 56K ~ 8192Kbps, MJPEG: 56K ~ 20480Kbps
<b>Network</b>	
Ethernet	RJ-45 (10/100Base-T)
ONVIF	ONVIF Profile S
Protocol	IPv4/ IPv6, HTTP, HTTPS, SSL, TCP/IP, UDP, UPnP, ICMP, IGMP, SNMP, RTSP, RTP, SMTP, NTP, DHCP, DNS, PPPOE, DDNS, FTP, IP Filter, QoS, Bonjour, 802.1x
Smart Phone	iPhone, iPad, Android, Windows Phone
Max. User Access	20 users
<b>Audio</b>	
Compression	G.711a / G.711u(32kbps)/ PCM(128kbps)
Interface	1/1 channel In/Out
<b>Auxiliary Interface</b>	
RS485	1
Memory Slot	Micro SD, Max 64GB
Alarm	7/2 channel In/Out
<b>General</b>	
Power Consumption	20W, 43W (IR on)
Power Supply	AC24V/3A(±25%), Hi-PoE
Protection Level	IP67, IK10
Operating temperature	-40° to 70 °C (-40° to 158 °F) / Less than 90% RH
Dimensions	240(mm) x 382(mm) / 9.44" x 15.02"
Weight	6.75kg / 15.4lb

All product specifications on this brochure are subject to change without notice.

**CANADA:**  
351 Ferrier Street, Unit 5  
Markham, ON L3R 5Z2  
Toll Free: 1-866-843-6865  
Tel: 416-410-6865  
Fax: 1-866-331-3341

**USA:**  
171 Cooper Ave. Suite 110  
Tonawanda, NY 14150 USA  
Toll Free: 1-855-404-3193  
Local: 1-716-877-7277  
Fax: 1-866-331-3341

[info@watchnetinc.com](mailto:info@watchnetinc.com)  
[www.watchnetinc.com](http://www.watchnetinc.com)

**INDIA:**  
RZ- 2, Ground Floor  
Kapashera  
Opp Kapashera Police Station  
New Delhi-110037  
Tel/Fax: + 91 11 26816005

**UAE:**  
P O Box 126312  
No 703, Oxford Towers  
Business Bay  
Dubai, UAE  
Tel: + 971 4 2767117