

### 2Mp Full HD 20X Network Vandal-proof IR PTZ Camera



MPIX-21IRPTZ-ME



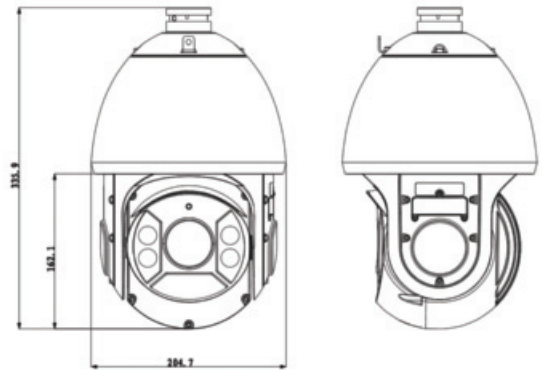
### 2.0Mp Full HD 20X Network Vandal-proof IR PTZ Camera



#### PRODUCT FEATURES

- ❖ 1/2.8" 2.0MP Exmor CMOS High definition sensor
- ❖ 20X Optical (16X Digital zoom)
- ❖ H.264H / H.264B / H.264 / MJPEG Triple-stream encoding
- ❖ Lens: 4.7mm ~ 94.0mm (20x Optical zoom)
- ❖ Max 240°/s pan speed, 360° endless pan rotation
- ❖ Built-in 2/1 alarm in/out
- ❖ Intelligent function support
- ❖ Support intelligent 3D positioning
- ❖ Max. 25/30fps@1080P(1920 x 1080) & 50/60fps@720P resolution
- ❖ D-WDR, Day/Night (ICR), Ultra DNR, Auto iris, Auto focus
- ❖ Multiple network monitoring: Built-in Web viewer and VMS
- ❖ Up to 300 presets, 5 auto scan, 8 tour, 5 pattern
- ❖ IP66, Micro SD memory
- ❖ IR Distance up to 100m/328ft
- ❖ ONVIF, PSIA, CGI Compatibility
- ❖ iPhone, iPad, Android support

\* **Wallmount Bracket and Power supply included**



Wallmount  
Bracket Included



Compatible with most major  
NVR Software



iPhone



Model Number	MPIX-21IRPTZ-ME
<b>Camera</b>	
Image Sensor	1/2.8" 2.0MP Exmor CMOS High definition sensor
Scanning System	Progressive scan
Effective Pixels	1920(H) x 1080(V)
Min Illumination	<b>Color:</b> 0.05Lux@F1.4; <b>B/W:</b> 0.005Lux@F1.4
Electronic Shutter Speed	1/1 ~ 1/30,000s
Video Output	BNC(1.0Vp-p/75Ω), PAL / NTSC
S/N Ratio	More than 50dB
<b>Lens</b>	
Max Aperture	F1.4 ~ F2.6
Focal Length	4.7mm ~ 94.0mm (20x Optical zoom)
Angle of View	H: 56.1° ~ 3.1°
Focus Control	Auto / Manual
Close Focus Distance	10mm ~ 1000mm
<b>Features</b>	
Day/Night	Auto(ICR) / Color / B/W
White Balance	Auto, ATW, Indoor, Outdoor, Manual
Backlight Compensation	BLC / HLC / D-WDR (Digital WDR)
Noise Reduction	Ultra DNR (2D/3D)
Digital Zoom	16x
Privacy Masking	Up to 24 areas
Gain Control	Auto / Manual
<b>PTZ</b>	
Pan/Tilt Range	Pan: 0° ~ 360° endless; Tilt: -15° ~ 90°, auto flip 180°
Manual Control Speed	Pan: 0.1° ~160° /s; Tilt: 0.1° ~120° /s
Preset Speed	Pan: 240° /s; Tilt: 200° /s
Preset	300
Speed Setup	Auto focal length / speed adaptation
PTZ Mode	5 Pattern, 8 Tour, Auto Pan, 5 Auto Scan
Idle Action	Activate Preset / Pan / Scan / Tour / Pattern if there is no command in the specified period
Power up Action	Auto restore to previous PTZ and lens status after power failure
Protocol	WatchNET/Pelco - P or D Protocol (Auto recognition)
IR Distance	100m/328ft (2 near IR LED+ 4 far IR LED)
<b>Audio</b>	
Interface	1/1 channel In/Out
Compression	G.711a / G.711u (32kbps) / PCM (128kbps)
<b>Video</b>	
Compression	H.264H / H.264B / H.264 / MJPEG
Resolution	1080P(1920×1080) / 720P(1280×720) / D1(704×576/ 704×480) / CIF (352×288/352×240)
Frame Rate	<b>Main Stream:</b> 1080P / D1 (1 ~ 25/30fps), 720P(1~50/60fps) <b>Sub Stream 1:</b> D1/CIF(1 ~ 25/30fps) / <b>Sub Stream 2:</b> 720P/D1/ CIF (1 ~ 25/30fps)
Bit Rate	<b>H.264:</b> 56K ~ 8192Kbps, <b>MJPEG:</b> 56K ~ 20480Kbps
<b>Network</b>	
Ethernet	RJ-45 (10/100Base-T)
Protocol	IPv4/IPv6, HTTP, HTTPS, SSL, TCP/IP, UDP, UPnP, ICMP, IGMP, SNMP, RTSP, RTP, SMTP, NTP, DHCP, DNS, PPPOE, DDNS, FTP, IP Filter, QoS, Bonjour, 802.1x
Max. User Access	20 users
<b>Auxiliary Interface</b>	
Memory Slot	Micro SD, Max 128GB
Alarm	2/1 channel In/Out
RS485	1
<b>General</b>	
Power Consumption	10.5W, 26W (IR on, Heater on)
Power Supply	AC 24V/3A
Protection Level	IP66
Operating temperature	-40° to 60 °C (-40°F to 140°F) / Less than 90% RH
Dimensions	Φ204.0(mm) x 359.9(mm) / Φ8.03 x 14.17"
Weight	5Kg / 11.02lb

All product specifications on this brochure are subject to change without notice.

**CANADA:**  
351 Ferrier Street, Unit 5  
Markham, ON L3R 5Z2  
Toll Free: 1-866-843-6865  
Tel: 416-410-6865  
Fax: 1-866-331-3341

**USA:**  
171 Cooper Ave. Suite 110  
Tonawanda, NY 14150 USA  
Toll Free: 1-855-404-3193  
Local: 1-716-877-7277  
Fax: 1-866-331-3341

[info@watchnetinc.com](mailto:info@watchnetinc.com)  
[www.watchnetinc.com](http://www.watchnetinc.com)

**INDIA:**  
RZ- 2, Ground Floor  
Kapashera  
Opp Kapashera Police Station  
New Delhi-110037  
Tel/Fax: + 91 11 26816005

**UAE:**  
P O Box 126312  
No 703, Oxford Towers  
Business Bay  
Dubai, UAE  
Tel: +971 4 2767117