



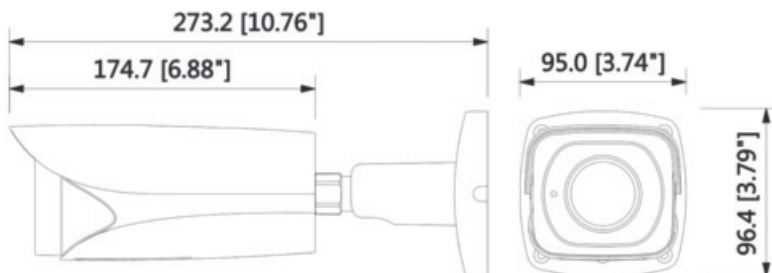
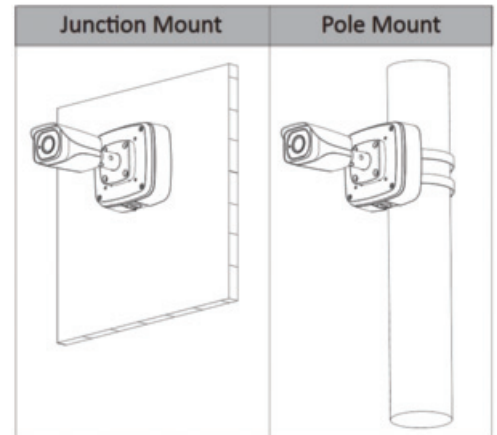
3MP WDR IR Bullet Network Camera

MPIX-30BIMR



Features:

- ❖ 1/2.8" 3 Megapixel progressive scan CMOS
- ❖ H.265 & H.264 triple-stream encoding
- ❖ 50/60fps@3M(2048×1536)
- ❖ Smart Detection supported
- ❖ WDR(140dB), Day/Night(ICR), 3DNR, AWB, AGC, BLC
- ❖ 2.7mm ~ 13.5mm motorized lens
- ❖ 2/1 Alarm in/out, 1/1 audio in/out
- ❖ Max. IR LEDs Length 100m/328ft
- ❖ Micro SD memory, IP67, IK10, PoE
- ❖ Multiple network monitoring:
Built-in web server & Multifunction VMS
- ❖ Smart phones compatible
- ❖ Supported by eVMS-PRO (Enterprise Class VMS software)



iPhone



PRODUCT OVERVIEW

The 3 Megapixel long range bullet IR camera delivers exemplary video resolution with a motorized 2.7mm ~ 13.5mm varifocal lens. adopts high performance DSP and Sony advanced image sensor technology, which can provide excellent image effects for users such as UHD resolution, starlight and super WDR etc. The series utilizes WatchNET's advanced software algorithm, which is able to support people counting and heat map, bringing extra business analysis value for customers; IP67, IK10 and heater compliance enables the product to be applied in a more harsh environment.

SYSTEM FUNCTIONS

Smart Compression (H.265+)

Delivering highest video quality without catheterize the network & bandwidth, Smart H.265+ codec is the optimized implementation of H.265. The Smart H.265+ encoding platform includes a scene adaptive encoding strategy, dynamic GOP, dynamic ROI, flexible multi-frame reference structure and intelligent noise reduction, providing a savings of up to 70% of bandwidth and storage when compared with standard H.265. High Efficiency Video Coding (HEVC) H.265 standard developed around the existing video coding standard H.264.

Sensifier Technology

Featuring WatchNET's Sensifier Technology, this camera is ideal for applications with challenging lighting conditions. Its low-light performance delivers usable video with minimal ambient light. Even in extreme low-light conditions, Starlight Technology is capable of delivering color images in near complete darkness (0.005 lux).

Ultra WDR (Wide Dynamic Range)

Standard WDR/HDR camera can provide 120dB dynamic range. However, for some scenes with wider contrast range, 120dB is slightly insufficient. By adopting the latest technology, WatchNET Cameras can provide an amazing dynamic range up to 140dB.

Intelligent Video Analytics

The long range WDR bullet IR camera has the ability to detect and analyze moving objects for improved video surveillance with built-in intelligent video analytics. The camera provides optional standard intelligence at the edge allowing detection of multiple object behaviors such as abandoned or missing objects. IVS also supports Line Detection Tampering analytics, allowing the camera to detect when a pre-determined line has been crossed, People Counting, ideal for business intelligence and Facial Detection, for searching or identification of individuals.

Business Intelligent Analysis

(People counting, Heatmap) WatchNET Camera also supports more advanced intelligent features such as people counting and heat map besides basic IVS functions. These two functions can be applied to business intelligence and bring extra values to customers. It is available to acquire daily, weekly, monthly and yearly people flow via people counting and output data report. Heat map can be based on a moving object in time of space movement for analysis, find the most active area and output the report, which is to provide valuable data support for commercial applications.

Smart Scene Adaptive (SSA)

Smart Scene Adaptive (SSA) is a WatchNET's self-developed intelligent image technology, the camera automatically evaluates the change in scene, in particular strong lights. In a strong backlight environment, it will automatically regulate exposure parameters to get better image quality. This can effectively address the impact of traffic lights, providing excellent video quality.

Supporting $\pm 30\%$ input voltage tolerance, this camera suits even the most unstable conditions for outdoor applications. Its 4KV lightning rating provides protection against the camera and its structure from the effects of lightning.

Interoperability

The camera conforms to the ONVIF (Open Network Video Interface Forum), PSIA, CGI specifications, ensuring interoperability between network video products regardless of any manufacturer.

Model	MPIX-30BIMR				
Camera					
Image Sensor	1/2.8" 3 Megapixel progressive scan CMOS				
Effective Pixels	2048(H) x 1536(V)				
Mini. Illumination	0.005Lux/F1.4 (Color, 1/3s, 30IRE) 0.03Lux/F1.4 (Color, 1/30s, 30IRE) 0Lux/F1.4 (IR on)				
RAM / ROM	1024MB / 128MB				
S/N Ratio	More than 50dB				
Electronic Shutter Speed	Auto/Manual, 1/3~1/100000s				
IR Distance	Up to 100m/328ft				
Scanning System	Progressive				
IR On / Off Control	Auto / Manual				
IR LEDs	4				
Lens					
Lens Type	Motorized / Auto Iris (HALL)				
Focal Length	2.7mm ~ 13.5mm				
Max. Aperture	F1.4				
Angle of View	H: 101°~31°, V: 54°~17°				
Mount Type	Board-in Type				
Optical Zoom	5x				
Close Focus Distance	0.3m (0.98ft)				
DORI Distance	Lens	Detect	Observe	Recognise	Identify
	W	54m(127ft)	22m(72ft)	11m(36ft)	5m(16ft)
	T	166m(545ft)	66m(217ft)	33m(108ft)	17m(56ft)
Video					
Compression	H.265+ / H.265 / H.264+ / H.264				
Streaming Capability	3 Streams				
Bit Rate Control	CBR / VBR				
Resolution	3M(2048x1536)/ 1080P(1920x1080)/ 1.3M(1280x960)/ 720P(1280x720)/ D1(704x576/704x480)/ VGA(640x480)/ CIF(352x288/342x240)				
Frame Rate	Main Stream: 3M (1~50/60fps) Sub Stream: D1 (1 ~ 50/60fps) Third Stream: 1080P (1~50/60fps)				
Bit Rate	H.264: 24~ 10240Kbps H.265: 14~ 9216Kbps				
Day/Night	Auto (ICR) / Color / B/W				
BLC Mode	BLC / HLC / WDR(140dB) / SSA				
White Balance	Auto / Natural / Street Lamp / Outdoor / Manual				
Gain Control	Auto / Manual				
Noise Reduction	3D DNR				
Motion Detetion	Off / On (4 Zone, Rectangle)				
Region of Interest	Off / On (4 Zone)				
Flip	0°/90°/180°/270°				
Electronic Image Stabilization	Support				
Smart IR	Support				
Defog	Support				
Mirror	Off / On				
Smart IR	Supported				
Digital Zoom	16x				
Privacy Masking	Off / On (4 Area, Rectangle)				

Intelligence	
IVS	Tripwire, Intrusion, Object Abandoned/Missing
Advanced Intelligent Functions	Face Detection, People Counting, Heat Map
Audio	
Compression	G.711a / G.711Mu / AAC / G.726
Network	
Ethernet	RJ-45 (100/1000Base-T)
Protocol	HTTP; HTTPS; TCP; ARP; RTSP; RTP; UDP; SMTP; FTP; DHCP; DNS; DDNS; PPPoE; IPv4/v6; QoS; UPnP;NTP; Bonjour; 802.1x; Multicast; ICMP; IGMP; SNMP
Interoperability	ONVIF, PSIA, CGI
Streaming Method	Unicast / Multicast
Max. User Access	10 Users / 20 Users
Edge Storage	NAS Local PC for instant recording Mirco SD card 128GB
Interface	
Video Interface	1 Port (For adjustment only)
Audio Interface	1/1 channel In/Out
RS485	N/A
Alarm	2 channel In: 5mA 5VDC 1 channel Out: 1A 30VDC / 0.5A 50VAC
Electrical	
Power Supply	DC12V PoE (802.3af)(Class 4)
Power Consumption	<13W
Environmental	
Operating Conditions	-40° C ~ +60° C (-22° F ~ +140° F) Less than 95% RH
Storage Conditions	-40° C ~ +60° C (-22° F ~ +140° F) Less than 95% RH
Protection Level	Ingress Protection – IP67
Vandal Resistance	IK10
Construction	
Casing	Metal
Dimensions	273.2mm × 95.0mm × 96.4mm (10.76" × 3.74" × 3.79")
Net Weight	1.12Kg (2.47lb)
Gross Weight	1.52Kg (3.35lb)

All logos & trade marks represent the registered users only. All rights reserved.
All product specifications on this brochure are subject to change without notice.

CANADA:
351 Ferrier Street, Unit 5
Markham, ON L3R 5Z2
Toll Free: 1-866-843-6865
Tel: 416-410-6865
Fax: 1-866-331-3341

USA:
171 Cooper Ave. Suite 110
Tonawanda, NY 14150 USA
Toll Free: 1-855-404-3193
Local: 1-716-877-7277
Fax: 1-866-331-3341

Rev Jan 08 2018

info@watchnetinc.com
www.watchnetinc.com

INDIA:
RZ- 2, Ground Floor
Kapashera
Opp Kapashera Police Station
New Delhi-110037
Tel/Fax: +91 11 26816005

UAE:
PO Box 126312
No 703, Oxford Towers
Business Bay
Dubai, UAE
Tel: +971 4 2767117