

HD Bullet IR Network Camera



MPIX-30BIR-ME

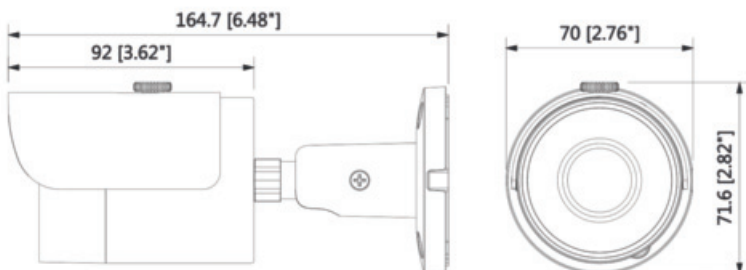
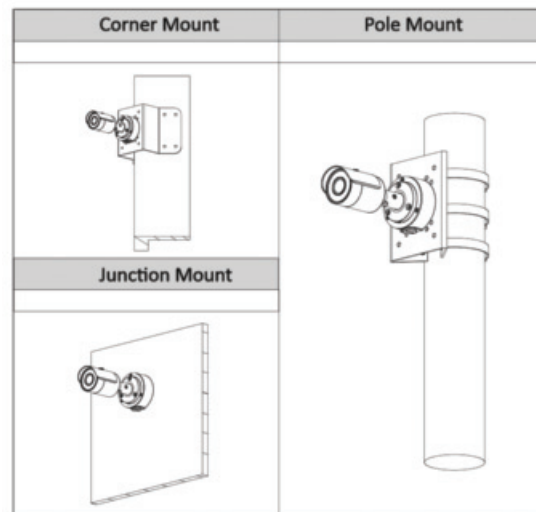


3MP Network IR Mini-Bullet Camera

3Mp Network IR Mini-Bullet Camera

- ❖ 1/3" 3Megapixel progressive CMOS
- ❖ H.264+ & H.264 dual-stream encoding
- ❖ 20fps@3M(2048x1536)&25/30fps@1080P(1920x1080)
- ❖ D-WDR, Day/Night(ICR), 3DNR, AWB, AGC, BLC
- ❖ 2.8 mm fixed lens (3.6 optional)
- ❖ Max IR LEDs Length 30m/98ft
- ❖ IP67, PoE
- ❖ Built-in Web server, WatchNET VMS Software

Mounting Diagram



iPhone



PRODUCT OVERVIEW

The 3 Megapixel IR Fixed lens bullet camera delivers high-resolution video with a choice of 3 different lens size viz., 2.8mm & 3.6mm, OR 6mm lens. The camera's elegant blend of aesthetics combined with its compact form factor provides an excellent choice for a variety of small to mid-size, indoor/outdoor applications and economical

PRODUCT SPECIAL FEATURES

Regions of interest

The Regions of Interest (ROI) feature allows the operator to monitor specific areas of a scene while still maintaining overall situational awareness of less important areas.

Image Flip Feature

The image flip feature allows the camera's image to be rotated in 90° increments for better video optimization. Capturing unnecessary data such as surrounding hallway walls can increase storage requirements without any added value

True Day/Night

This bullet IR camera ideal for applications with fluctuating lighting conditions, delivering color images during the day and automatically switching to monochrome as the scene darkens with its sharp day/night mechanical IR cut filter.

Smart IR Function

The camera's Smart IR technology adjusts to the intensity of camera's infrared LEDs to compensate for the distance of an object. Smart IR technology prevents IR LEDs from whiting out images as they come closer to the camera. The camera's integrated infrared illumination provides high performance in extreme low-light environments up to 30m. With IR illumination, detailed images can be captured in low light or total darkness.

Voltage Tolerance & Protection

This camera supports $\pm 10\%$ input voltage tolerance & apt for unstable conditions for outdoor applications. It has 6KV lightning rating which provides protection against the camera and its structure from the effects of lightning.

Interoperability

The camera conforms to the ONVIF (Open Network Video Interface Forum) specifications, ensuring interoperability between network video products regardless of any manufacturer.

H.264+ Encoding

The new H.264+ encoding platform includes a scene adaptive encoding strategy, dynamic GOP, dynamic ROI, flexible multi-frame reference structure and intelligent noise reduction, providing a savings of up to 70% of bandwidth and storage when compared with standard H.264. Delivering high quality video without excruciate the network, Smart H.264+ is the optimized implementation of H.264.

Model		MPIX-30BIR-ME		
Camera				
Image Sensor	1/3" 3Megapixel progressive CMOS			
Effective Pixels	2304(H) x 1536(V)			
RAM/ROM	256MB/16MB			
Scanning System	Progressive			
Electronic Shutter Speed	Auto/Manual, 1/3(4)~1/10000s			
Min Illumination	0.1Lux/F2.0(Color), 0Lux/F2.0(IR on)			
S/N Ratio	More than 50dB			
IR Distance	Distance up to 30m(98ft)			
IR On/Off Control	Auto/ Manual			
IR LEDs	18			
Lens				
Lens Type	Fixed			
Mount Type	Board-in			
Focal Length	Fixed 2.8 mm (3.6 mm optional)			
Max. Aperture	F2.0 / F2.0			
Angle of View	H:98°/77°, V:51°/41°			
Focus Control	Fixed			
Close Focus Distance	N/A			
DORI Distance				
Lens	Detect	Observe	Recognize	Identify
2.8mm	58m(190ft)	23m(75ft)	12m(39ft)	6m(20ft)
3.6mm	73m(240ft)	29m(95ft)	15m(49ft)	7m(23ft)
Video				
Video Compression	H.264+/H.264			
Streaming Capability	2 Streams			
Resolution	3M(2048×1536)/2304×1296 / 1080P(1920×1080) / 720P(1280×720) / D1(704×576/704×480) / CIF(352×288/352×240)			
Frame Rate	3M(1 ~ 20fps)/2M (1 ~ 25/30fps)s) / D1/CIF(1 ~ 25/30fps)			
Bit Rate Control	CBR/VBR			
Bit Rate	H264:24K ~ 8192Kbps			
Day/Night	Auto(ICR) / Color / B/W			
BLC Mode	BLC / HLC / DWDR			
White Balance	Auto / Natural / Street Lamp / Outdoor / Manual			
Gain Control	Auto/Manual			
Noise Reduction	3D DNR			
Motion Detetion	Off / On (4 Zone, Rectangle)			
Region of Interest	Off / On (4 Zone)			
Electronic Image	Support			
Smart IR	Support			
Digital Zoom	16x			
Flip	0°/90°/180°/270°			
Mirror	Off / On			
Privacy Masking	Off / On (4 Area, Rectangle)			
Audio Compression	N/A			

Network	
Ethernet	RJ-45 (10/100Base-T)
Protocol	HTTP;HTTPS;TCP;ARP;RTSP; RTP;UDP;SMTP;FTP; CP;DNS;DDNS; PPPOE;IPv4/v6;QoS;UPnP;NTP; Bonjour;802.1x;Multicast;IGMP
Interoperability	ONVIF, PSIA, CGI
Streaming Method	Unicast / Multicast
Max. User Access	10 Users / 20 Users
Edge Storage	NAS (Network Attached Storage) Local PC for instant recording
Web Viewer	IE, Chrome, Firefox, Safari
Smart Phone	iPhone, iPad, Android Phone
Interface	
Video Interface	N/A
Audio Interface	N/A
RS485	N/A
Alarm	N/A
Electrical	
Power Supply	DC12V PoE (802.3af)(Class 0)
Power Consumption	<7.5W
Environmental	
Operating Conditions/ Humidity	-30° C ~ +60° C (-22° F ~ +140° F) / Less than 95% RH
Storage Conditions/ Humidity	-30° C ~ +60° C (-22° F ~ +140° F) / Less than 95% RH
Ingress Protection	IP67
Vandal Resistance	N/A
Construcion	
Casing	Metal
Dimensions	Φ109.9mm × 81mm (4.33" x 3.19")
Net Weight	0.34Kg (0.75lb)
Gross Weight	0.47Kg (1.04lb)

All logos & trade marks represent the registered users only. All rights reserved.
All product specifications on this brochure are subject to change without notice.



CANADA:
351 Ferrier Street, Unit 5
Markham, ON L3R 5Z2
Toll Free: 1-866-843-6865
Tel: 416-410-6865
Fax: 1-866-331-3341

USA:
171 Cooper Ave. Suite 110
Tonawanda, NY 14150 USA
Toll Free: 1-855-404-3193
Local: 1-716-877-7277
Fax: 1-866-331-3341

info@watchnetinc.com
www.watchnetinc.com

INDIA:
RZ- 2, Ground Floor, Kapashera
Opp Kapashera Police Station
New Delhi-110037
Tel/Fax: +91 11 26816005

UAE:
P O Box 126312
No 703, Oxford Towers
Business Bay
Dubai, UAE
Tel: +971 4 2767117