

## 3MP Full HD Network IR Dome Camera



**MPIX-30VDFIR-ME**



**3MP HD Network IR Network Camera**

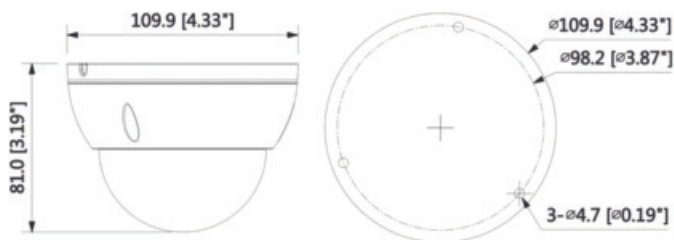
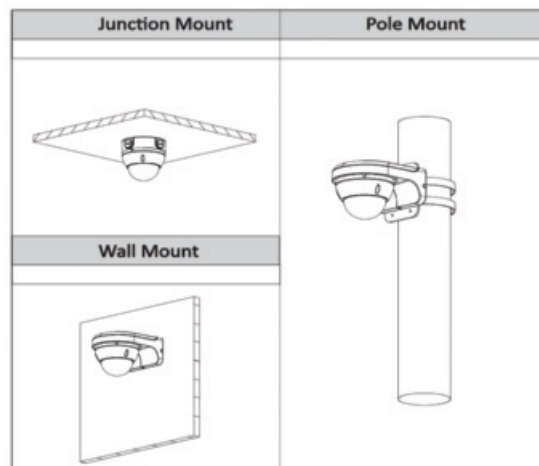


### Features:

- ❖ 1/3" 3.0 Megapixel progressive scan CMOS
- ❖ H.264+ & H.264 dual-stream encoding
- ❖ 20fps@3M(2048x1536)&25/30fps@1080P(1920x1080)
- ❖ DWDR, Day/Night(ICR), 3DNR, AWB, AGC, BLC
- ❖ LENS: 2.8 mm fixed lens (3.6 mm optional)
- ❖ Max. IR LEDs length 30m/98feet
- ❖ IP67, IK10, PoE
- ❖ Multiple network monitoring:  
Built-in web server & Multifunction VMS
- ❖ Smart phones compatible



Mounting Diagram



iPhone



## PRODUCT OVERVIEW

The 3 Megapixel IR Fixed lens dome camera delivers high-resolution video with a choice of 3 different lens size viz., 2.8mm & 3.6mm, OR 6mm lens. The camera's elegant blend of aesthetics combined with its compact form factor provides an excellent choice for a variety of small to mid-size, indoor/outdoor applications and economical.

## PRODUCT SPECIAL FEATURES

### Regions of interest

The Regions of Interest (ROI) feature allows the operator to monitor specific areas of a scene while still maintaining overall situational awareness of less important areas.

### Image Flip Feature

The image flip feature allows the camera's image to be rotated in 90° increments for better video optimization. Capturing unnecessary data such as surrounding hallway walls can increase storage requirements without any added value.

### True Day/Night

This bullet IR camera ideal for applications with fluctuating lighting conditions, delivering color images during the day and automatically switching to monochrome as the scene darkens with its sharp day/night mechanical IR cut filter.

### Smart IR Function

The camera's Smart IR technology adjusts to the intensity of camera's infrared LEDs to compensate for the distance of an object. Smart IR technology prevents IR LEDs from whitening out images as they come closer to the camera. The camera's integrated infrared illumination provides high performance in extreme low-light environments up to 30m. With IR illumination, detailed images can be captured in low light or total darkness.

### Voltage Tolerance & Protection

This camera supports  $\pm 10\%$  input voltage tolerance & apt for unstable conditions for outdoor applications. It has 6KV lightning rating which provides protection against the camera and its structure from the effects of lightning.

### Interoperability

The camera conforms to the ONVIF (Open Network Video Interface Forum) specifications, ensuring interoperability between network video products regardless of any manufacturer.

### H.264+ Encoding

The new H.264+ encoding platform includes a scene adaptive encoding strategy, dynamic GOP, dynamic ROI, flexible multi-frame reference structure and intelligent noise reduction, providing a savings of up to 70% of bandwidth and storage when compared with standard H.264. Delivering high quality video without excruciate the network, Smart H.264+ is the optimized implementation of H.264.

Model		MPIX-30VDFIR-ME		
<b>Camera</b>				
Image Sensor	1/3" 3MP progressive scan CMOS			
Effective Pixels	2048(H) x 1536(V)			
Mini. Illumination	0.1Lux/F2.0(Color), 0Lux/F2.0(IR on)			
RAM / ROM	256MB / 16MB			
S/N Ratio	More than 50dB			
Electronic Shutter Speed	Auto/Manual, 1/3(4)~1/100000s			
Scanning System	Progressive			
IR Distance	Distance up to 30m(98ft)			
IR On / Off Control	Auto / Manual			
IR LEDs	24			
<b>Lens</b>				
Focal Length	2.8mm fixed lens (3.6 optional)			
Max. Aperture	F2.0/F2.0			
Angle of View	H: 98°/77°, V:51°/41°			
Digital Zoom	16x			
Mount Type	Board-in Type			
Focus Control	Fixed			
Close Focus Distance	N/A			
<b>DORI Distance</b>				
Lens	Detect	Observe	Recognize	Identify
2.8mm	58m(190ft)	23m(75ft)	12m(39ft)	6m(20ft)
3.6mm	73m(240ft)	29m(95ft)	15m(49ft)	7m(23ft)
<b>Video</b>				
Compression	H.264+ / H.264			
Streaming Capability	2 Streams			
Bit Rate Control	CBR / VBR			
Resolution	3M(2048×1536)(2304×1296) / 1080P(1920×1080) / 1.3M(1280×960) 720P(1280×720) / D1(704×576/704×480) / CIF(352×288/352×240)			
Bit Rate	H264:24K ~ 8192Kbps			
Frame Rate	3M(1 ~ 20fps)/2M (1 ~ 25/30fps)s) D1/CIF(1 ~ 25/30fps)			
Day / Night	Auto(ICR) / Color / B/W			
BLC Mode	BLC / HLC / D-WDR			
White Balance	Auto / Natural / Street Lamp / Outdoor / Manual			
Gain Control	Auto / Manual			
Noise Reduction	3D DNR			
Motion Detection	Off / On (4 Zone, Rectangle)			
Region of Interest	Off / On (4 Zone)			
Electronic Image/Smart IR	Support			
Flip	0°/90°/180°/270°			
Mirror	Off / On			
Privacy Masking	Off / On (4 Area, Rectangle)			

<b>Audio</b>	
Compression	N/A
<b>Network</b>	
Ethernet	RJ-45 (10/100Base-T)
Protocol	HTTP; HTTPS; TCP; ARP; RTSP; RTP; UDP; SMTP; FTP; DHCP; DNS; DDNS; PPPoE; IPv4/v6; QoS; UPnP; NTP; Bonjour; 802.1x; Multicast; ICMP; IGMP; SNMP
Interoperability	ONVIF, PSIA, CGI
Streaming Method	Unicast / Multicast
Max. User Access	10 Users / 20 Users
Edge Storage	NAS (Network Attached Storage), Local PC for instant recording Mirco SD card 128GB
<b>Interface</b>	
Video Interface	N/A
Audio Interface	N/A
RS485	N/A
Alarm	N/A
<b>Electrical</b>	
Power Supply	DC12V, PoE (802.3af)(Class 0)
Power Consumption	<5W
<b>Environmental</b>	
Operating Conditions	-30° C ~ +60° C (-22° F ~ +140° F) Less than 95% RH
Storage Conditions	-30° C ~ +60° C (-22° F ~ +140° F) Less than 95% RH
Ingress Protection	IP67
Vandal Resistance	IK10
<b>Construction</b>	
Casing	Metal
Dimensions	Φ109.9mm × 81mm 4.33" × 3.19"
Net Weight	0.34Kg (0.75lb)
Gross Weight	0.47Kg (1.04lb)

All logos & trade marks represent the registered users only. All rights reserved.  
All product specifications on this brochure are subject to change without notice.



**CANADA:**  
351 Ferrier Street, Unit 5  
Markham, ON L3R 5Z2  
Toll Free: 1-866-843-6865  
Tel: 416-410-6865  
Fax: 1-866-331-3341

**USA:**  
171 Cooper Ave. Suite 110  
Tonawanda, NY 14150 USA  
Toll Free: 1-855-404-3193  
Local: 1-716-877-7277  
Fax: 1-866-331-3341

info@watchnetinc.com  
www.watchnetinc.com

**INDIA:**  
RZ- 2, Ground Floor  
Kapashera  
Opp Kapashera Police Station  
New Delhi-110037  
Tel/Fax: + 91 11 26816005

**UAE:**  
P O Box 126312  
No 703, Oxford Towers  
Business Bay  
Dubai, UAE  
Tel: +971 4 2767117