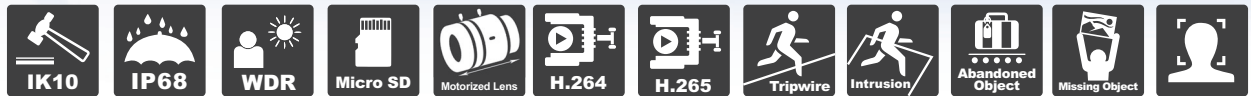


## 4MP HD WDR IR Bullet Camera

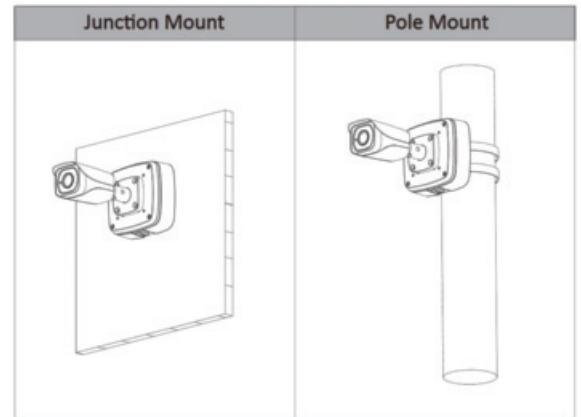


MPIX-40BIMR



### Features:

- ❖ 1/3" 4Megapixel progressive scan Exmor CMOS
- ❖ Motorized vandal-proof IR bullet camera
- ❖ 25/30fps@4Mp(2688×1520)
- ❖ H.265 & H.264 tripple stream
- ❖ WDR(128dB), Day/Night(ICR), 3DNR, AWB, AGC, BLC
- ❖ Smart detection
- ❖ 2.7mm - 12mm motorized lens
- ❖ Max. IR LEDs length 50m/164feet
- ❖ 2/1 Alarm in/out, 1/1 audio in/out
- ❖ IP67, IK10, PoE
- ❖ Multiple network monitoring:  
Web viewer, eVMS-PRO & HD-VMS
- ❖ Smart phones compatible



## VMS-PRO

Enterprise Class VMS Solution



Optional Brackets:



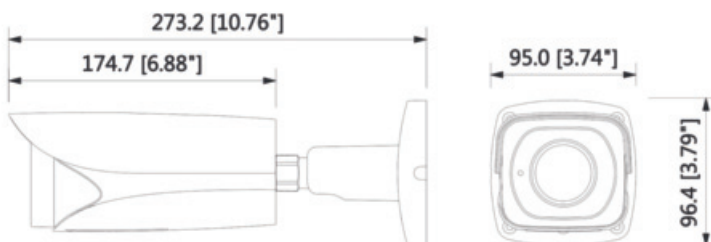
BRACK-BB-53



BR-POLE-MXC



BR-CORN-MXC



iPhone



### PRODUCT OVERVIEW

The 4 Megapixel Bullet IR camera with H.265 encoding technology delivers exemplary video resolution with a motorized 2.7mm – 12mm varifocal lens. The camera's elegant blend of aesthetics combined with a range of easy mounting solutions provides an excellent choice for a variety of small to mid-size applications and economical too. The camera saves bandwidth and storage, energy-saving design to enhance the monitoring system, smart IR technology, intelligent image analysis techniques. It provides excellent image quality and intelligent and efficient event reminders. This series provides IP68 weatherproof and IK10 vandal-proof protection feature.

### SYSTEM FUNCTIONS

#### Smart Code (H.265+)

Delivering highest video quality without catheterize the network & bandwidth, Smart H.265+ codec is the optimized implementation of H.265. The Smart H.265+ encoding platform includes a scene adaptive encoding strategy, dynamic GOP, dynamic ROI, flexible multi-frame reference structure and intelligent noise reduction, providing a savings of up to 70% of bandwidth and storage when compared with standard H.265.

#### Wide Dynamic Range, 128dB

Embedded with industry's leading wide dynamic range (WDR) technology, vivid pictures are achieved even in the most intense contrast lighting conditions. For applications with both bright and low lighting conditions that change quickly, True WDR (120dB) optimizes both the bright and dark areas of a scene at the same time to provide usable video.

#### Intelligent Video System (IVS)

With built-in intelligent video analytics, the camera has the ability to detect and analyze moving objects for improved video surveillance. The camera provides optional standard intelligence at the edge allowing detection of multiple object behaviors such as abandoned or missing objects. IVS also supports Tripwire analytics, allowing the camera to detect when a pre-determined line has been crossed, People Counting, ideal for business intelligence, and Facial Detection, for searching or identification of individuals.

#### Smart IR feature

With IR illumination, detailed images can be captured in low light or total darkness. The camera's Smart IR technology adjusts to the intensity of camera's infrared LEDs to compensate for the distance of an object. Smart IR technology prevents IR LEDs from whiting out images as they come closer to the camera. The camera's integrated infrared illumination provides high performance in extreme low-light environments up to 50m (164ft).

#### HEVC (High Efficiency Video Coding)

H.265 ITU-T VCEG is a new video coding standard. H.265 Following standard developed around the existing video coding standard H.264, some retain the original technology, while some of the relevant technology to improve the new technology uses advanced technology to improve the relationship between the code stream, encoding quality, and the delay between algorithm complexity, optimize settings specific contents include: Improve compression efficiency, improve the robustness and error recovery capabilities, real- me to reduce the delay, reduce channel acquisition me and a random access delay, reduce complexity, etc.

#### Voltage Tolerance

Supporting  $\pm 30\%$  input voltage tolerance, this camera suits even the most unstable conditions for outdoor applications. Its 6KV lightning rating provides protection against the camera and its structure from the effects of lightning.

#### Environmental & Protection

With a temperature range of  $-30\text{ }^{\circ}\text{C}$  to  $+60\text{ }^{\circ}\text{C}$  ( $-22\text{ }^{\circ}\text{F}$  to  $+140\text{ }^{\circ}\text{F}$ ), the camera is designed for extreme temperature environments. Subjected and certified to rigorous dust and water immersion tests, the IP68 rating makes it suitable for demanding outdoor applications. For environments with rain, sleet, snow and fog, an integrated wiper provides users with clear visibility at all times.

#### Interoperability

The camera conforms to the ONVIF (Open Network Video Interface Forum) specifications, ensuring interoperability between network video products regardless of any manufacturer.

Model	MPIX-40BIMR				
<b>Camera</b>					
Image Sensor	1/3" 4Megapixel progressive scan CMOS				
Effective Pixels	2688(H) x 1520(V)				
Mini. Illumination	0.03Lux/F1.4 (Color); 0Lux/F1.4 (IR on)				
RAM / ROM	512MB / 32MB				
S/N Ratio	More than 50dB				
Electronic Shutter Speed	Auto/Manual, 1/3(4)~1/100000s				
IR Distance	50m (164ft)				
Scanning System	Progressive				
IR On / Off Control	Auto / Manual				
IR LEDs	4				
<b>Lens</b>					
Lens Type	Motorized/ Auto Iris(DC)				
Focal Length	2.7mm - 12mm				
Max. Aperture	F1.4				
Angle of View	H:100°~35°, V:54°~20				
Mount Type	Board-in Type				
Optical Zoom	4x				
Close Focus Distance	0.3m				
Focus Control	Motorized				
Distance	Lens	Detect	Observe	Recognise	Identify
	W	68m/223ft	27m/89ft	14m/49ft	7m/23ft
	T	193m/633ft	77m/253ft	39m/128ft	19m/62ft
<b>Video</b>					
Compression	H.265+/H.265/H.264+/H.264				
Streaming Capability	3 Streams				
Bit Rate Control	CBR / VBR				
Resolution	4M(2688×1520)/3M(2304×1296)/1080P(1920×1080)/1.3M(1280×960)/720P(1280×720)/D1(704×576/704×480)/VGA(640×480)/CIF(352×288/352×240)				
Bit Rate	H.264: 24~10240Kbps / H.265: 14~9984Kbps				
Frame Rate	<b>Main Stream:</b> 4M(1~25/30fps) <b>Sub Stream:</b> D1(1~25/30fps) <b>Third Stream:</b> 1080P(1~25fps)				
Day/Night	Auto (ICR) / Color / B/W				
BLC Mode	BLC / HLC / WDR (128dB)				
White Balance	Auto / Natural / Street Lamp / Outdoor / Manual				
Gain Control	Auto / Manual				
Noise Reduction	3D DNR				
Motion Detection	Off / On (4 Zone, Rectangle)				
Region of Interest	Off / On (4 Zone)				
Flip	0°/90°/180°/270°				
Mirror	Off / On				
Electronic Image Stabilization (EIS)	N/A				
Defog	N/A				
Privacy Masking	Off / On (4 Area, Rectangle)				
Smart IR	Supported				
Digital Zoom	16x				
<b>Intelligence</b>					
IVS (optional)	Tripwire, Intrusion, Object Abandoned/Missing				
Advanced Intelligent Functions	Face Detection				

<b>Audio</b>	
Compression	G.711a/ G.711Mu/ AAC/ G.726
<b>Network</b>	
Ethernet	RJ-45 (10/100Base-T)
Protocol	HTTP; HTTPS; TCP; ARP; RTSP; RTP; UDP; SMTP; FTP; DHCP; DNS; DDNS; PPPOE; IPv4/v6; QoS; UPnP;NTP; Bonjour; 802.1x; Multicast; ICMP; IGMP; SNMP
Interoperability	ONVIF, PSIA, CGI
Streaming Method	Unicast / Multicast
Max. User Access	10 Users / 20 Users
Edge Storage	NAS Local PC for instant recording Micro SD card 128GB
Web Viewer	IE, Chrome, Firefox, Safari
Management Software	HD VMS, eVMS-PRO (Enterprise class VMS software)
Smart Phone	MVS-Lite, MVS-Pro & eVMS-PRO (Android & iOS)
<b>Certifications</b>	
Certifications	CE, FCC, RoHS
<b>Interface</b>	
Video Interface	N/A
Audio Interface	1/1 channel In/Out
RS485	N/A
Alarm	2/1 channel In/Out
<b>Electrical</b>	
Power Supply	DC12V, PoE (802.3af)(Class 0)
Power Consumption	<11.5W
<b>Environmental</b>	
Operating Conditions	-30° C ~ +60° C (-22° F ~ +140° F) Less than 95% RH
Storage Conditions	-30° C ~ +60° C (-22° F ~ +140° F) Less than 95% RH
Protection Level	Ingress Protection – IP68
<b>Construction</b>	
Casing	Metal
Dimensions	273.2mm×95.0mm×96.4mm (10.76"×3.74"×3.79")
Net Weight	1.07Kg (2.36lb)
Gross Weight	1.4Kg (3.09lb)

All logos & trade marks represent the registered users only. All rights reserved.  
All product specifications on this brochure are subject to change without notice.

**CANADA:**  
351 Ferrier Street, Unit 5  
Markham, ON L3R 5Z2  
Toll Free: 1-866-843-6865  
Tel: 416-410-6865  
Fax: 1-866-331-3341

**USA:**  
171 Cooper Ave. Suite 110  
Tonawanda, NY 14150 USA  
Toll Free: 1-855-404-3193  
Local: 1-716-877-7277  
Fax: 1-866-331-3341

Rev-June 12, 2019

info@watchnetinc.com  
www.watchnetinc.com

**INDIA:**  
RZ- 2, Ground Floor  
Kapashera  
Opp Kapashera Police Station  
New Delhi-110037  
Tel/Fax: +91 11 26816005

**UAE:**  
PO Box 126312  
No 703, Oxford Towers  
Business Bay  
Dubai, UAE  
Tel: +971 4 2767117