

XVI

ENHANCED CVI

Motorized Bullet Camera



XVI-21-BILR

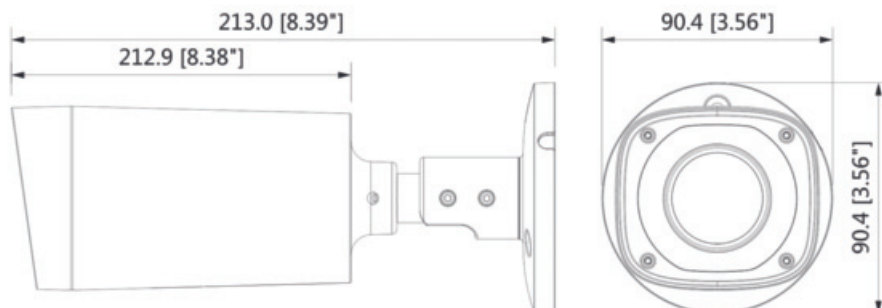
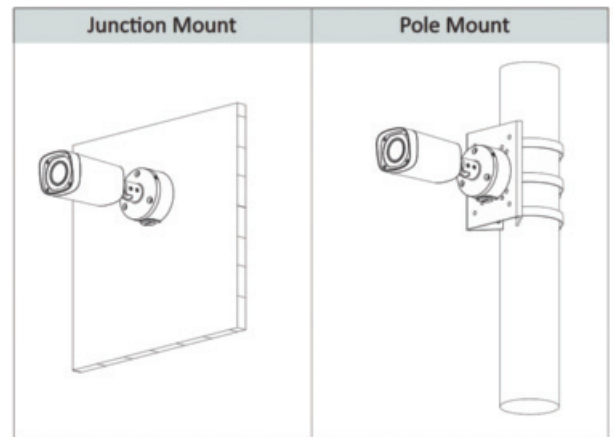


2.1 MP HD WDR IR
Bullet Network Camera



Features:

- ❖ 1/2.8" 2.1MP Progressive CMOS Sensor
- ❖ Max 30fps@1080P
- ❖ HD and SD output switchable
- ❖ 7mm - 22mm motorized lens
- ❖ Max. IR length 60m (197feet), Smart IR
- ❖ IP67, DC12V
- ❖ Multiple network monitoring:
Built-in web server & Multifunction VMS
- ❖ Smart phones compatible



iPhone



PRODUCT OVERVIEW

The 2.1 Megapixel long range bullet IR camera delivers exemplary video resolution with a motorized 7mm ~22mm varifocal lens. Let's experience full HD 1080P video with the simplicity of using existing coaxial cable and the best fit for RETROFIT Projects. The XVI camera presents high quality image with rich details even under extreme lowlight environment and supports 120dB true WDR. The camera offers various motorized lens models & HD/SD switchable output. The outstanding performance and true WDR feature make the camera an ideal choice for mid to large-size business and common projects where both highly reliable surveillance and construction flexibility are concerned.

SYSTEM FUNCTIONS

Multiple Signals over a single Coaxial Cable

XVI technology supports 4 signals to be transmitted over 1 coaxial cable simultaneously, i.e. video, audio*, data and power. Dual-way data transmission allows the XVI camera to interact with the EVI Recorders, such as sending control signal or triggering alarm.

** Audio input is available for some models of XVI cameras.*

Long Distance Transmission

XVI technology guarantees long-distance and real-time transmission without any loss. It supports up to 500m for 1080P Full HD video via coaxial cable, and up to 300m via UTP cable*.

** Actual results verified by real-scene testing in WatchNET's test laboratory.*

Flexible & Simple Technology

XVI technology inherits the born feature of simplicity from traditional analog surveillance system, making itself a best choice for investment protection. XCVI system can seamlessly upgrade the traditional analog system without replacing existing coaxial cabling. The plug and play approach enables full HD video surveillance without the hassle of configuring a network.

Smart Wide Dynamic Range

Embedded with industry leading wide dynamic range (WDR) technology, vivid pictures are achieved even in the most intense contrast lighting conditions. True WDR (120dB) optimizes both the bright and dark areas of a scene at the same time to provide usable video.

Voltage Tolerance & Protection

Supporting $\pm 25\%$ input voltage tolerance, this camera suits even the most unstable conditions for outdoor applications. Its 4KV lightning rating provides protection against the camera and its structure from the effects of lightning.

With working temperature range of -40 °C to +60 °C (-40 °F to +140 °F), the camera is designed for extreme temperature environments.

The camera's outstanding reliability is unsurpassed due to its rugged design. The camera is protected against water and dust with IP67, making it suitable for indoor or outdoor environments.

Large Aperture Lens

The camera adopts high-end F1.3 large aperture lens. With higher amount of absorbed light, the camera presents an impressive lowlight performance.

Multi Video Format Support

The camera supports multiple video formats including XVI, CVBS and other two common HD analog formats in the market. The four formats can be switched over through OSD menu or by UTC controller. This feature makes the camera to be compatible with not only EVI Recorders but also most end users' existing HD/SD-DVRs.

Model	XVI-21-BILR		
Camera			
Image Sensor	1/2.8" 2.1 Megapixel progressive CMOS		
Effective Pixels	1937(H) × 1097(V)		
Mini. Illumination	0.005Lux/F1.3, 30IRE, 0Lux IR on		
S/N Ratio	More than 50dB		
Electronic Shutter Speed	PAL: 1/4s~1/100000s / NTSC: 1/3s~1/100000s		
IR Distance	60m/197feet		
Scanning System	Progressive		
IR On / Off Control	Auto / Manual		
IR LEDs	4		
Lens			
Lens Type	Motorized lens / Fixed iris		
Focal Length	7mm - 22mm		
Max. Aperture	F1.3		
Angle of View	H: 102°~29°(40°~17°)		
Mount Type	Board-in Type		
Focus Control	Auto / Manual		
Close Focus Distance	200mm (1000mm) / 7.87" (39.37")		
DORI Distance			
*Note: The DORI distance is a "general proximity" of distance which makes it easy to pinpoint the right camera for your needs. The DORI distance is calculated based on sensor specification and lab test result according to EN 62676-4 which defines the criteria for Detect, Observe, Recognize and Identify respectively.			
		Detect	
		Wide	Tele
Detect	25px/m (8px/ft)	47m/154ft (115m/377ft)	153m/502ft (269m/883ft)
Observe	63px/m (19px/ft)	19m/62ft (46m/151ft)	61m/200ft (108m/354ft)
Recognize	125px/m (38px/ft)	9m/30ft (23m/75ft)	31m/102ft (54m/177ft)
Identify	250ppm (76px/ft)	5m/16ft (12m/39ft)	15m/49ft (27m/89ft)
Video			
Resolution	1080P (1920×1080)		
Frame Rate	25/30fps@1080P, 25/30fps@720P		
Video Output	1-channel BNC high definition video output / CVBS video output (Can switch)		
Day/Night	Auto (ICR) / Manual		
OSD Menu	Multi-language		
BLC Mode	BLC / HLC / WDR		
WDR	120dB		
Gain Control	AGC		
Noise Reduction	2D / 3D		
White Balance	Auto / Manual		
Smart IR	Auto / Manual		

Interface	
Audio Interface	N/A
Electrical	
Power Supply	12V DC ±25%
Power Consumption	Max 10.1W (12V DC, IR on)
Environmental	
Operating Conditions	-40°C ~ +60°C (-40°F ~ +140°F) Less than 90% RH * Start up should be done at above -40°C (-40°F)
Storage Conditions	-40°C ~ +60°C (-40°F ~ +140°F) Less than 90% RH
Protection Level	Ingress Protection – IP67
Construction	
Casing	Aluminium
Dimensions	213.0mm × 90.4mm × 90.4mm 8.39" × 3.56" × 3.56")
Net Weight	0.61kg (1.34lb)
Gross Weight	0.74kg (1.63lb)

All logos & trade marks represent the registered users only. All rights reserved.
All product specifications on this brochure are subject to change without notice.

CANADA:
351 Ferrier Street, Unit 5
Markham, ON L3R 5Z2
Toll Free: 1-866-843-6865
Tel: 416-410-6865
Fax: 1-866-331-3341

USA:
171 Cooper Ave. Suite 110
Tonawanda, NY 14150 USA
Toll Free: 1-855-404-3193
Local: 1-716-877-7277
Fax: 1-866-331-3341

info@watchnetinc.com
www.watchnetinc.com

INDIA:
RZ- 2, Ground Floor
Kapashera
Opp Kapashera Police Station
New Delhi-110037
Tel/Fax: + 91 11 25060481

UAE:
P O Box 126312
No 703, Oxford Towers
Business Bay
Dubai, UAE
Tel: +971 4 2767117