

XVI

ENHANCED CVI
30x Zoom PTZ with WDR



XVI-21-IRPTZ-30X

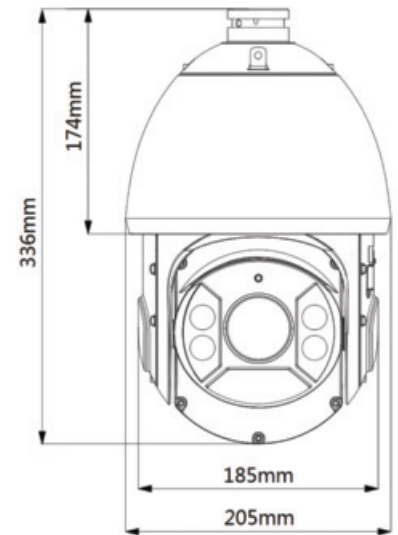


2.1 MP 30X HD WDR
IR PTZ Camera

Features:

- ❖ 1/2.8" 2.1MP STARVIS™ CMOS Sensor
- ❖ Max. 25/30fps@1080P, 25/30/50/60fps@720P
- ❖ Powerful 30x optical zoom
- ❖ 4.5mm ~ 135mm focal lens
- ❖ 120dB true WDR, 3D DNR
- ❖ Max. IR length up to 150m (492ft)
- ❖ IP66, AC24V/3A(±10%)
- ❖ Multiple network monitoring:
Built-in web server & Multifunction VMS

Wall Mount and Power supply included



Parapet Mount



Ceiling Mount



Junction Mount



Power Box Mount



Pole Mount



Corner Mount



iPhone



2.1 MEGAPIXEL 30X PTZ CAMERA: XVI-21-IRPTZ-30X

PRODUCT OVERVIEW

The 2.1 Megapixel IR PTZ camera delivers exemplary video resolution with a focal length of 4.5mm~135mm lens. Featuring with powerful optical zoom and accurate pan/tilt/zoom performance, the XVI series PTZ camera can provide large monitoring range and great detail. The camera delivers 1080P resolution at 25/30 fps, with 30x optical zoom, and has very excellent low light performance due to adopting the latest starlight technology. This PTZ is equipped with smooth control, high quality image and good protection, which make it can meet small and medium size of video surveillance applications.

SYSTEM FUNCTIONS

Flexible & Simple Technology

XVI technology inherits the born feature of simplicity from traditional analog surveillance system, making itself a best choice for investment protection. XCVI system can seamlessly upgrade the traditional analog system without replacing existing coaxial cabling. The plug and play approach enables full HD video surveillance without the hassle of configuring a network.

Smart Wide Dynamic Range

Embedded with industry leading wide dynamic range (WDR) technology, vivid pictures are achieved even in the most intense contrast lighting conditions. True WDR (120dB) optimizes both the bright and dark areas of a scene at the same me to provide usable video.

Voltage Tolerance & Protection

Supporting good input voltage tolerance, this camera suits even the most unstable conditions for outdoor applications. Its 6KV lightning rating provides protection against the camera and its structure from the effects of lightning.

With working temperature range of -40 °C to +60 °C (-40 °F to +140 °F), the camera is designed for extreme temperature environments.

The camera's outstanding reliability is unsurpassed due to its rugged design. The camera is protected against water and dust with IP66, making it suitable for indoor or outdoor environments

Model	XVI-21-IRPTZ-30X		
Camera			
Image Sensor	1/2.8" 2.1 Megapixel STARVIS™ CMOS		
Effective Pixels	1920(H) x 1080(V)		
Mini. Illumination	Color: 0.005Lux@F1.6; 0Lux@F1.6 (IR on)		
S/N Ratio	More than 55dB		
Electronic Shutter Speed	1/3s~1/300,000s		
IR Distance	150m (492ft)		
Scanning System	Progressive		
IR On / Off Control	Auto / Manual		
IR LEDs	6		
Lens			
Focal Length	4.5mm ~ 135mm		
Max. Aperture	F1.6 ~ F5.0		
Angle of View	H: 67.8° ~ 2.4°		
Optical Zoom	30x		
Focus Control	Auto/Manual		
Close Focus Distance	100mm ~ 1000mm		
DORI Distance			
*Note: The DORI distance is a "general proximity" of distance which makes it easy to pinpoint the right camera for your needs. The DORI distance is calculated based on sensor specification and lab test result according to EN 62676-4 which defines the criteria for Detect, Observe, Recognize and Identify respectively.			
Detect	Observe	Recognize	Identify
1862m (6109ft)	744m(2441ft)	372m(1220ft)	186m(610ft)
PTZ			
Pan/Tilt Range	Pan: 0° ~ 360° endless; Tilt: -15° ~ 90°, auto flip 180°		
Manual Control Speed	Pan: 0.1° ~160° /s; Tilt: 0.1° ~120° /s		
Preset Speed	Pan: 240° /s; Tilt: 200° /s		
Presets	300		
PTZ Mode	5 Pattern, 8 Tour, Auto Pan ,Auto Scan		
Speed Setup	Human-oriented focal Length / speed adaptation		
Power up Action	Auto restore to previous PTZ and lens status after power failure		
Idle Motion	Activate Preset / Scan / Tour / Pattern if there is no command in the specified period		

Video	
Resolution	1080P(1920×1080) / 720P(1280×720)
Frame Rate	25/30fps@1080P, 25/30/50/60fps@720P
Video Output	1-channel BNC high definition video output / CVBS video output (switchable)
Day/Night	Auto(ICR) / Color / B/W
OSD Menu	Support
BLC Mode / WDR	BLC / HLC / WDR (120dB)
Gain Control	Auto / Manual
Noise Reduction	Ultra DNR (2D/3D)
White Balance	Auto, ATW, Indoor, Outdoor, Manual
Digital Zoom	16x
Flip	180°
Privacy Masking	Up to 24 areas
Interface	
Video Interface	1
Audio Interface	1 channel in
RS485	1
Alarm I/O	2/1
Electrical	
Power Supply	AC24V/3A(±10%)
Power Consumption	13W, 23W (IR on)
Environmental	
Operating Conditions	-40°C ~ +60°C (-40°F ~ +140°F) Less than 90% RH
Ingress Protection	IP66
Vandal Resistance	N/A
Construction	
Casing	Metal
Dimensions	Φ205(mm) x 336(mm) 8.07" x 13.23"
Net Weight	7.8kg (17.20lb)
Gross Weight	8.3kg (18.30lb)

All logos & trade marks represent the registered users only. All rights reserved.
All product specifications on this brochure are subject to change without notice.

CANADA:
351 Ferrier Street, Unit 5
Markham, ON L3R 5Z2
Toll Free: 1-866-843-6865
Tel: 416-410-6865
Fax: 1-866-331-3341

USA:
171 Cooper Ave. Suite 110
Tonawanda, NY 14150 USA
Toll Free: 1-855-404-3193
Local: 1-716-877-7277
Fax: 1-866-331-3341

info@watchnetinc.com
www.watchnetinc.com

INDIA:
RZ- 2, Ground Floor
Kapashera
Opp Kapashera Police Station
New Delhi-110037
Tel/Fax: + 91 11 25060481

UAE:
P O Box 126312
No 703, Oxford Towers
Business Bay
Dubai, UAE
Tel: +971 4 2767117