

## 2.1MP HD Network IR Network Camera



MPIX-21IRBF-K28



### Features:

- ✦ 1/2.7" 2.1MP CMOS image sensor
- ✦ H.265 & H.264 dual-stream encoding
- ✦ IP67 Rated
- ✦ Max. IR Distance: 30m/98ft
- ✦ 25/30fps@1080P(1920x1080)
- ✦ D-WDR, True Day/Night ICR
- ✦ Support DC12V power supply, PoE
- ✦ Built-in Web server, WatchNET VMS
- ✦ Support Multicast
- ✦ Lens: 2.8mm



FREE Multisite VMS software  
Download from [www.watchnetinc.com](http://www.watchnetinc.com)

### Optional Brackets:



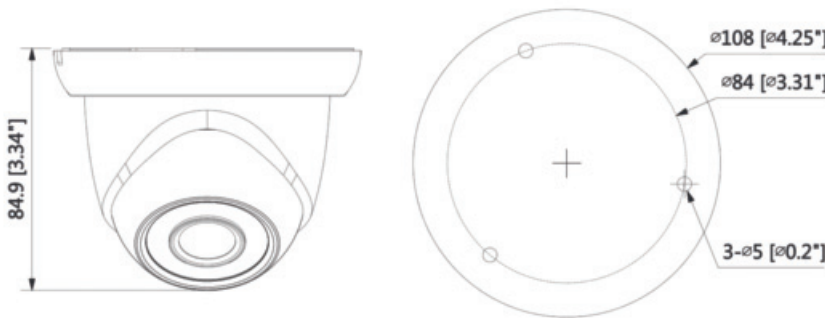
BRACK-PM-06



BRACK-BALL-W-S



BRACK-WM-49



iPhone



Model	MPIX-21IRBF-K28
<b>Camera</b>	
Image Sensor	1/2.7" 2.1Megapixel progressive CMOS
Effective Pixels	1920(H) x1080(V)
Min. Illumination	0.08Lux/F2.0( Color,1/3s,30IRE) 0.3Lux/F2.0( Color,1/30s,30IRE) 0Lux/F2.0(IR on)
RAM / ROM	256MB/128MB
S/N Ratio	More than 50dB
Electronic Shutter Speed	Auto/Manual, 1/3(4)~1/100000s
IR Distance	Up to 30m (98ft)
Scanning System	Progressive
IR On / Off Control	Auto / Manual
IR LEDs	12
<b>Lens</b>	
Lens Type	Fixed
Focal Length	2.8mm
Max. Aperture	F2.0 / F2.0
Angle of View	H:104°, V:92°
Mount Type	Board-in
Focus Control	Fixed
Close Focus Distance	0.6m(0.9m)
<b>Video</b>	
Compression	H.265+/H.265/H.264+/H.264
Streaming Capability	2 Streams
Bit Rate Control	CBR / VBR
Resolution	1080P(1920x1080)/720P(1280x720)/ D1(704x576/704x480)/CIF(352x288/352x240)
Bit Rate	H.265: 12K ~ 6400Kbps / H.264: 32K ~ 10240Kbps
Frame Rate	1080P(1 ~ 25/30fps) D1(704x576/704x480)/CIF(352x288/352x240)
Bit Rate Control	CBR / VBR
Day/Night	Auto (ICR) / Color / B/W
BLC Mode	BLC / HLC / D-WDR
White Balance	Auto / Natural / Street Lamp / Outdoor / Manual
Gain Control	Auto / Manual
Noise Reduction	3D DNR
Motion Detetion	Off / On (4 Zone, Rectangle)
Region of Interest	Off / On (4 Zone)
Flip	0°/90°/180°/270°
Mirror	Off / On
Smart IR/Electronic Image	Supported
Digital Zoom	16x
Privacy Masking	Off / On (4 Area, Rectangle)

<b>Audio</b>	
Compression	N/A
<b>Network</b>	
Ethernet	RJ-45 (10/100Base-T)
Protocol	HTTP;TCP;ARP;RTSP;RTP;UDP;RTCP;SMTP; FTP;DHCP;DNS;DDNS;PPPOE;IPv4/v6; SNMP;QoS;UPnP;NTP
Interoperability	ONVIF, PSIA, CGI
Streaming Method	Unicast / Multicast
Max. User Access	10 Users / 20 Users
<b>Interface</b>	
Video Interface	N/A
Audio Interface	N/A
RS485	N/A
Alarm	N/A
<b>Electrical</b>	
Power Supply	DC12V PoE (802.3af)(Class 0)
Power Consumption	<4.6W
<b>Environmental</b>	
Operating Conditions	-30°C ~ +60°C (-22° F ~ +140° F) Less than 95% RH
Storage Conditions	-30°C ~ +60°C (-22° F ~ +140° F) Less than 95% RH
Protection Level	Ingress Protection – IP67
<b>Construction</b>	
Casing	Metal+Plastic
Dimensions	Φ108mm x 84.9mm (4.25" x 3.15")
Net Weight	0.23Kg (0.51lb)
Gross Weight	0.387Kg (0.85lb)

*\*All product names, logos and brands are property of their respective owners. All company products and service names used on this box/website/brochure are for identification purposes only. Use of these names, logos and brands does not imply endorsement. 2019 WatchNET Inc. © All Rights Reserved. All product specifications are subject to change without notice.*

**CANADA:**  
351 Ferrier Street, Unit 5  
Markham, ON L3R 5Z2  
Toll Free: 1-866-843-6865  
Tel: 416-410-6865

**USA:**  
171 Cooper Ave. Suite 110  
Tonawanda, NY 14150 USA  
Toll Free: 1-866-843-6865  
Local: 1-716-877-7277

Rev April 23, 2019

info@watchnetinc.com  
www.watchnetinc.com

**INDIA:**  
RZ- 2, Ground Floor, Kapashera  
Opp Kapashera Police Station  
New Delhi-110037  
Tel/Fax: +91 11 26816005  
Mobile: + 91 9654297002

**UAE:**  
P O Box 126312  
No 703, Oxford Towers  
Business Bay  
Dubai, UAE  
Tel: +971 4 2767117