

WatchNET®

Security Since 2000

MegaPixel Camera

XVI ENHANCED CVI

MegaPixel over UTP/Coax

SENSEPIER
Ultra low light enhancement



XVI-80BIMRD



PRO SERIES

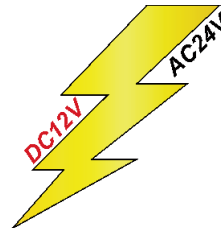
4K 8MP HD IR Bullet Camera

Features:

- ❖ 1/2" 8Megapixel progressive scan CMOS
- ❖ Dual Voltage - AC24V±30%/DC12V±30%
- ❖ Day/Night(ICR), AWB, AGC, BLC
- ❖ 120dB True WDR, 3DNR
- ❖ HD and SD switchable
- ❖ 3.7 - 11mm motorized lens
- ❖ Max. IR LEDs length 80m/262ft
- ❖ IP67
- ❖ Multiple network monitoring:
Built-in web server & Multifunction VMS
- ❖ Smart phones compatible



4K



FREE Multisite VMS software
Download from www.watchnetinc.com



iPhone

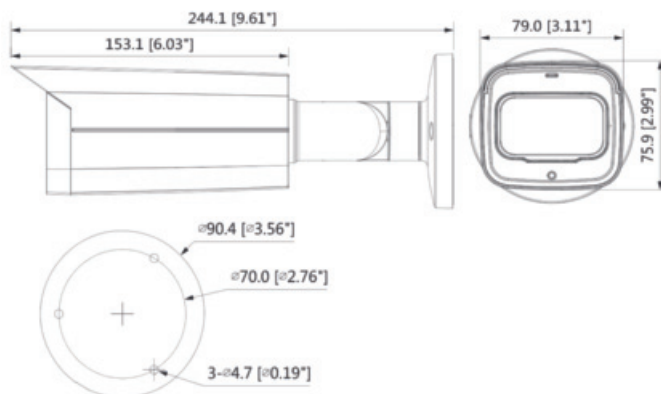


Optional Bracket:



BRACK-BB-37

Wall Mount Bracket included



www.watchnetinc.com



Model	XVI-80BIMRD
Camera	
Image Sensor	1/2" 8Megapixel progressive scan CMOS
Effective Pixels	3840(H)×2160(V), 8MP
Min. Illumination	0.005Lux/F1.5, 30IRE, 0Lux IR on
S/N Ratio	More than 65dB
Scanning System	Progressive
Electronic Shutter Speed	PAL: 1/4s~1/100,000s NTSC: 1/3s~1/100,000s
IR Distance	Distance up to 80m (262ft)
IR LEDs	4
IR On / Off Control	Auto / Manual
Lens	
Lens Type	Motorized lens / Fixed iris
Focal Length	3.7mm - 11mm motorized lens
Max. Aperture	F1.5
Angle of View	H: 112°~46°
Mount Type	Board-in Type
Close Focus Distance	200mm/7.87"
Focus Control	Motorized
Video	
Resolution	8MP (3840×2160)
Frame Rate	15fps@4K, 20fps@6MP, 25/30fps@4MP
Video Output	1-channel BNC high definition video output / CVBS video output (DIP switch)
Day/Night	Auto (ICR) / Manual
OSD Menu	Multi-language
BLC Mode	BLC / HLC / WDR
WDR	120dB
Gain Control	AGC
Noise Reduction	2D/3D
White Balance	Auto / Manual
Smart IR	Auto / Manual

Interface	
Audio Interface	1ch in
Electrical	
Power Supply	AC 24V±30% / DC 12V±30%
Power Consumption	Max 15W (12V DC, IR on)
Environmental	
Operating Conditions	-30°C ~ +60°C (-22°F ~ +140°F) / Less than 90% RH * Start up should be done at above -30°C (-22°F)
Storage Conditions	-30°C ~ +60°C (-22°F ~ +140°F) / Less than 90% RH
Ingress Protection & Vandal Resistance	IP67
Construction	
Casing	Aluminum
Dimensions	244.1mm×90.4mm×90.4mm (9.61"×3.56"×3.56")
Net Weight	0.8kg (1.76lb)
Gross Weight	1.05kg (2.31lb)

All logos & trade marks represent the registered users only. All rights reserved.
All product specifications on this brochure are subject to change without notice.

CANADA:
351 Ferrier Street, Unit 5
Markham, ON L3R 5Z2
Toll Free: 1-866-843-6865
Tel: 416-410-6865

USA:
171 Cooper Ave. Suite 110
Tonawanda, NY 14150 USA
Toll Free: 1-866-843-6865
Local: 1-716-877-7277

UAE:
PO Box 126312
No 703, Oxford Towers
Business Bay, Dubai, UAE
Tel: +971 4 2767117

Rev July 23, 2020

info@watchnetinc.com
www.watchnetinc.com