

4.0MP Bullet IR Network Camera



MPIX-40BIR-K28

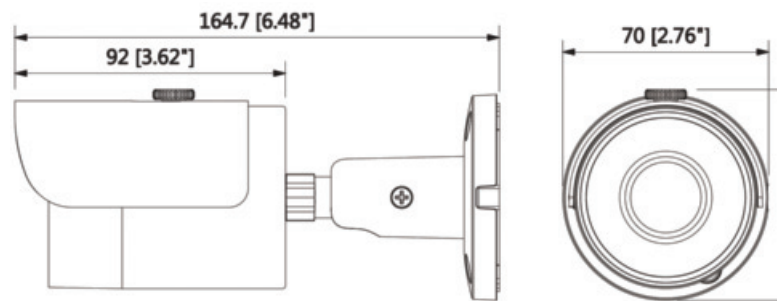


4.0MP IR Network Camera



1/3" 4.0MP CMOS HD IR Network Camera

- ❖ 1/3" 4.0 Megapixel Aptina CMOS image sensor
- ❖ 2.8 mm fixed lens
- ❖ WDR(120dB), Day/Night(ICR), 3DNR, HLC, AGC, BLC
- ❖ Max. IR Distance: 30M/98feet
- ❖ H.265 & H.264 dual-stream encoding
- ❖ 20fps@4M(2688×1520) & 25/30fps@3M(2304×1296)
- ❖ IP67, PoE
- ❖ Support DC12V power supply, PoE (802.3af)(Class 0)
- ❖ Built-in Web server



Optional Brackets:



BBRBOXMXC



FREE Multisite VMS software
Download from www.watchnetinc.com



iPhone



Compatible with most major
NVR Software



Model	MPIX-40BIR-K28
Camera	
Image Sensor	1/3" 4Megapixel progressive CMOS
Effective Pixels	2688(H) x 1520(V)
Mini. Illumination	0.08Lux/F2.0(Color,1/3s,30IRE) / 0.3Lux/F2.0(Color,1/30s,30IRE) / 0Lux/F2.0(IR on)
RAM / ROM	512MB / 32MB
S/N Ratio	More than 45dB
Electronic Shutter Speed	Auto/Manual, 1/3~1/100000s
IR Distance	Up to 30m (98ft)
Scanning System	Progressive
IR On / Off Control	Auto / Manual
IR LEDs	18
Lens	
Lens Type	Fixed
Focal Length	2.8mm
Max. Aperture	F2.0 / F2.0
Angle of View	H:104°, V:57°
Mount Type	Board-in
Focus Control	Fixed
Close Focus Distance	N/A
Video	
Compression	H.265+/H.265/H.264+/H.264
Streaming Capability	2 Streams
Bit Rate Control	CBR / VBR
Resolution	4M(2688x1520/2560x1440)/3M(2304x1296)/ 1080P(1920x1080)/720P(1280x720)/ D1(704x576/704x480)/ CIF(352x288/352x240)
Bit Rate	H.265: 12K ~ 8448Kbps / H.264: 32K ~ 10240Kbps
Frame Rate	Main Stream: 4M(1 ~ 20fps)/3M (1 ~ 25/30fps) Sub Stream: D1(1 ~ 25/30fps)
Bit Rate Control	CBR / VBR
Day/Night	Auto (ICR) / Color / B/W
BLC Mode	BLC / HLC / WDR (120dB)
White Balance	Auto / Natural / Street Lamp / Outdoor / Manual
Gain Control	Auto / Manual
Noise Reduction	3D DNR
Motion Detetion	Off / On (4 Zone, Rectangle)
Region of Interest	Off / On (4 Zone)
Flip	0°/90°/180°/270°
Mirror	Off / On
Smart IR/Electronic Image	Supported
Digital Zoom	16x
Privacy Masking	Off / On (4 Area, Rectangle)

Audio	
Compression	N/A
Network	
Ethernet	RJ-45 (10/100Base-T)
Protocol	HTTP;TCP;ARP;RTSP;RTP;UDP;RTCP;SMTP; FTP;DHCP;DNS;DDNS;PPPOE;IPv4/v6; SNMP;QoS;UPnP;NTP
Interoperability	ONVIF, PSIA, CGI
Streaming Method	Unicast / Multicast
Max. User Access	20 Users
Electrical	
Power Supply	DC12V PoE (802.3af)(Class 0)
Power Consumption	<5.5W
Environmental	
Operating Conditions	-30° C ~ +55° C (-22° F ~ +131° F) Less than 95% RH
Storage Conditions	-30° C ~ +55° C (-22° F ~ +131° F) Less than 95% RH
Protection Level	Ingress Protection – IP67
Construction	
Casing	Metal
Dimensions	Φ70mm x 164.7mm (2.76" x 6.49")
Net Weight	0.38Kg (0.84lb)
Gross Weight	0.44Kg (0.97lb)

**All product names, logos and brands are property of their respective owners. All company products and service names used on this box/website/brochure are for identification purposes only. Use of these names, logos and brands does not imply endorsement.*

2019 WatchNET Inc. © All Rights Reserved. All product specifications are subject to change without notice.

CANADA:
351 Ferrier Street, Unit 5
Markham, ON L3R 5Z2
Toll Free: 1-866-843-6865
Tel: 416-410-6865

USA:
171 Cooper Ave. Suite 110
Tonawanda, NY 14150 USA
Toll Free: 1-866-843-6865
Local: 1-716-877-7277

Rev April 23, 2019

info@watchnetinc.com
www.watchnetinc.com

INDIA:
RZ- 2, Ground Floor
Kapashera
Opp Kapashera Police Station
New Delhi-110037
Tel/Fax: + 91 11 26816005

UAE:
P O Box 126312
No 703, Oxford Towers
Business Bay
Dubai, UAE
Tel: +971 4 2767117