

XVI

ENHANCED CVI
MegaPixel over UTP/Coax



XVI-21PIRR2



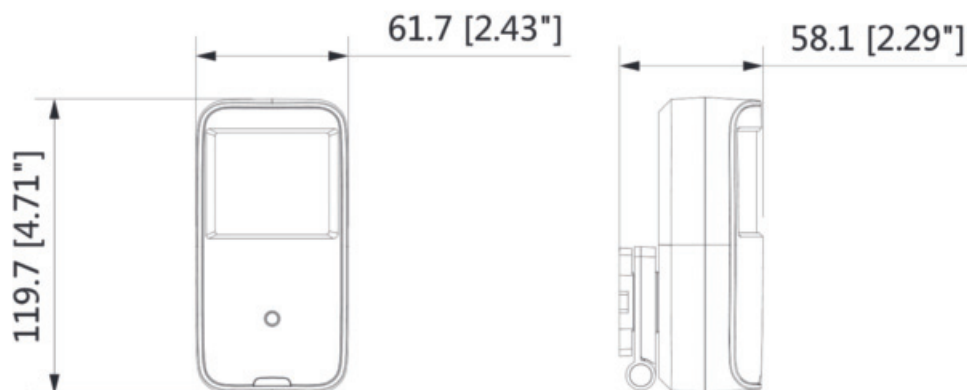
2.1MP HDCVI PIR Cube Camera

Features:

- ❖ 1/2.7" 2.1MegaPixel CMOS
- ❖ HD and SD output switchable (video only)
- ❖ 2.8mm fixed lens
- ❖ 10m/110° detecting range/angle
- ❖ Max 30fps@1080P
- ❖ Built-in tamper switch, D-WDR
- ❖ 12V DC ±30%



FREE Multisite VMS software included



Model	XVI-21PIRR2
Camera	
Image Sensor	1/2.7" CMOS 2.1 Megapixel CMOS
Effective Pixels	1920(H) × 1080(V)
Min. Illumination	0.02Lux/F2.4(Color), 0.002Lux/F2.4(B/W)
S/N Ratio	More than 65dB
Electronic Shutter Speed	PAL: 1/25~1/1000000s / NTSC: 1/30~1/1000000s
Scanning System	Progressive
Lens	
Lens Type	Fixed lens / Fixed iris
Focal Length	2.8mm
Max. Aperture	F2.4
Angle of View	H: 96°(107°)
Mount Type	Board-in Type
Focus Control	N/A
Close Focus Distance	500mm / 19.7"
Video	
Resolution	1080P (1920×1080)
Frame Rate	25/30fps@1080P, 25/30fps@720P
Video Output	1-channel BNC high definition video output / CVBSvideo output (Can switch)
Day/Night	Electronic
OSD Menu	Multi-language
BLC Mode	BLC / HLC / D-WDR
WDR	D-WDR
Gain Control	AGC
Noise Reduction	2D
White Balance	Auto / Manual

PIR	
Detection	Passive infrared
Detection Range	10m, 110°
Installation height	Default bracket, wall mount, 2.2-3m
Interface	
Audio Interface	N/A
Electrical	
Power Supply	12V DC ±30%
Power Consumption	Max 0.8W (12V DC, IR on)
Environmental	
Operating Conditions	-10°C ~ +50°C (14°F ~ +122°F) Less than 95% RH * Start up should be done at above -10°C (14°F)
Storage Conditions	-10°C ~ +50°C (14°F ~ +122°F) Less than 95% RH
Construction	
Casing	Plastic
Dimensions	120mm×62mm×58mm (4.72"×2.44"×2.28")
Net Weight	0.13kg (0.29lb)
Gross Weight	0.18kg (0.40lb)

All logos & trade marks represent the registered users only. All rights reserved.
All product specifications on this brochure are subject to change without notice.

CANADA:
351 Ferrier Street, Unit 5
Markham, ON L3R 5Z2
Toll Free: 1-866-843-6865
Tel: 416-410-6865

USA:
171 Cooper Ave. Suite 110
Tonawanda, NY 14150 USA
Toll Free: 1-866-843-6865
Local: 1-716-877-7277

UAE:
P O Box No 126312
Office Suite 703
Oxford Towers, Business Bay
Dubai, UAE
Tel: + 971 4 2767117

Nov. 13, 2019

info@watchnetinc.com
www.watchnetinc.com