

Water-proof Junction Box



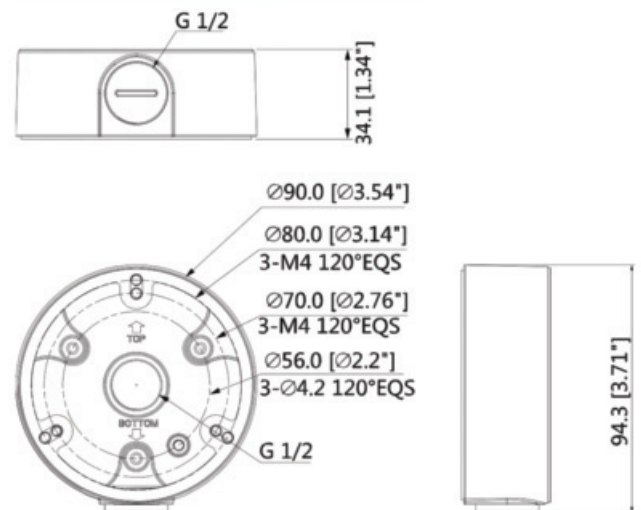
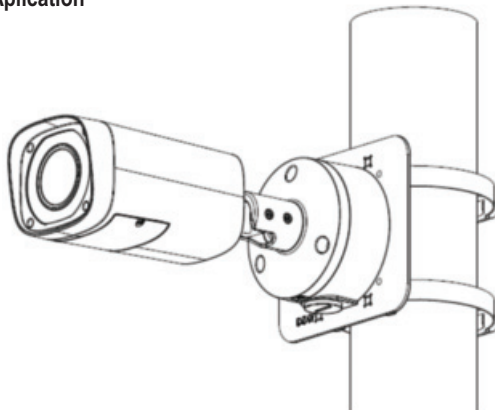
BRACK-BB-37

- Aesthetic design
- Junction box
- Material: Aluminum
- Color: White



Model	BRACK-BB-37
General	
Material	Aluminum
Dimension	Φ90.0mmx34.1mm (Φ3.54"x1.34")
Pipe Thread	G1 1/2"
Load Bearing	1.0kg(2.2lb)
Weight	0.16kg(0.35lb)
Color	White
Operating Temperature	-40°C ~ 60°C (-40°F ~ 140°F)
Humidity	<90% RH

Application



Package Information:

- Water-proof junction box x1
- M4x12 screw x3
- ST4x25screw x3
- Plastic anchor x3
- Water-proof joint x1
- Wrench x1

All logos & trade marks represent the registered users only. All rights reserved.
 All product specifications on this brochure are subject to change without notice.

CANADA:
 351 Ferrier Street, Unit 5
 Markham, ON L3R 5Z2
 Toll Free: 1-866-843-6865
 Tel: 416-410-6865

USA:
 171 Cooper Ave. Suite 110
 Tonawanda, NY 14150 USA
 Toll Free: 1-866-843-6865
 Local: 1-716-877-7277

UAE:
 P O Box 126312
 No 703, Oxford Towers
 Business Bay, Dubai, UAE
 Tel: + 971 4 2767117

Rev. Aug. 11, 2020

info@watchnetinc.com
 www.watchnetinc.com