

Water-proof Junction Box



BRACK-BB-44

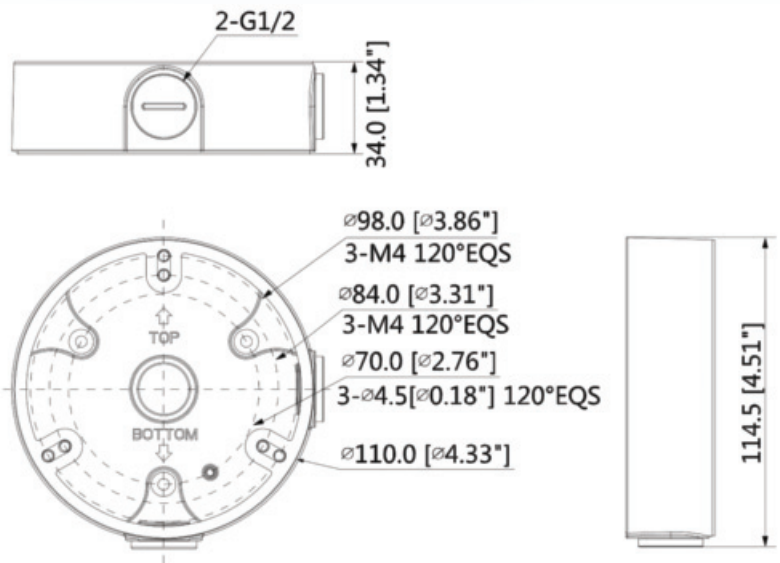


- Aesthetic design
- Water-proof junction box
- Material: Aluminum
- Color: White

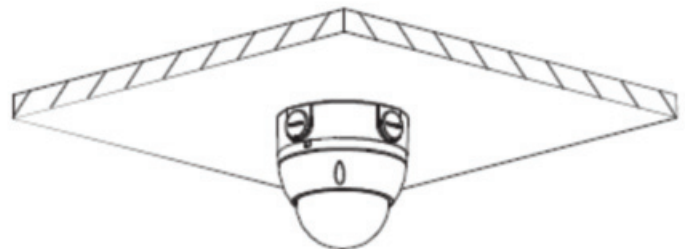
| Model | BRACK-BB-44 |
|-----------------------|-------------------------------|
| General | |
| Material | Aluminum |
| Dimension | Φ110.0mmx34.0mm(Φ4.33"x1.34") |
| Inch Thread | M20(G1/2") |
| Load Bearing | 1.0kg(2.2lb) |
| Weight | 0.19kg(0.42lb) |
| Color | White |
| Operating Temperature | -40°C ~ 60°C (-40°F ~ 140°F) |
| Humidity | <90% RH |

Package Information:

- Water-proof junction box
- M4x10 screw x3
- ST4x25 screw x3
- Plastic anchor x3
- Water joint x1
- Wrench x1



Application



All logos & trade marks represent the registered users only. All rights reserved.
All product specifications on this brochure are subject to change without notice.

CANADA:
351 Ferrier Street, Unit 5
Markham, ON L3R 5Z2
Toll Free: 1-866-843-6865
Tel: 416-410-6865

USA:
171 Cooper Ave. Suite 110
Tonawanda, NY 14150 USA
Toll Free: 1-866-843-6865
Local: 1-716-877-7277

UAE:
P O Box 126312
No 703, Oxford Towers
Business Bay, Dubai, UAE
Tel: + 971 4 2767117

Rev. Aug. 11, 2020

info@watchnetinc.com
www.watchnetinc.com