

XVI ENHANCED CVI

MegaPixel over UTP/Coax



XVI-21MP15X



2.1 MegaPixel PTZ Camera

- ❖ Powerful 15x optical zoom, 16x digital zoom
 - ❖ 5 mm-75 mm lens
 - ❖ 120 dB true WDR, 3D DNR
 - ❖ Pan: 0° ~ 360° endless; Tilt: -2° ~ 90°, auto flip 180°
 - ❖ Max. 25/30 fps@1080P, 25/30/50/60 fps@720P
 - ❖ Up to 255 presets, 5 auto scan, 8 tour, 5 pattern
 - ❖ Built-in 2/1 alarm in/out
 - ❖ Support intelligent 3D positioning with XVI protocol
 - ❖ IP66, IK10
 - ❖ 1 Ch Audio Input, 2/1 Ch Alarm Input/Output
 - ❖ Resolution - 1920(H)×1080(V)
- * **Wallmount Bracket and Power supply included**

2.1MP 15x Sensefier CVI PTZ Camera

Pendant Mount BRACK-MPIX-21MP-PEND	Junction Back Box BRACK-PTZBB12	Hinged Back Box BRACK-PTZ-BOX
Pole Mount BRPOLEMXC	Corner Mount BRCORNMXC	Parapet Mount BRACK-PTZ-PAR

Included



DC12V/5A
Power Adapter



Wall Mount
Bracket



BRACK-CMA-PTZ3
Mount Adapter

Optional Brackets



BRACK-MPIX-21MP-PEND
Pendant Mount



BRACK-PTZBB120
Junction Back Box



BRACK-PTZ-BOX
Hinged Back Box



BRPOLEMXC
Pole Mount Bracket



BRCORNMXC
Corner Mount



BRACK-PTZ-PAR
Parapet Mount

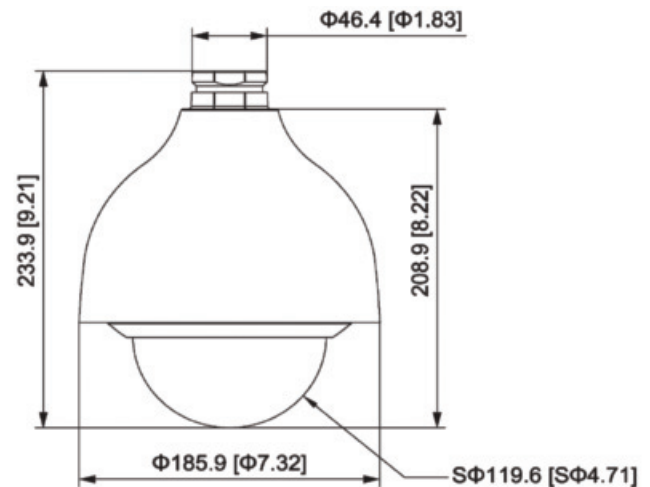


FREE Multisite VMS software included
Download from www.watchnetinc.com

Model	XVI-21MP15X
Camera	
Image Sensor	1/2.8" 2.1 MP CMOS Image Sensor
Max. Resolution	1920(H) x 1080(V)
ROM/RAM	16 MB / 256 MB
Electronic Shutter Speed	1/3 s~1/100000 s
Scanning System	Progressive
Min. Illumination	Color: 0.005 Lux@F1.6 / B/W: 0.0005 Lux@F1.6
Lens	
Focal Length	5 mm~75 mm
Max. Aperture	F1.6~F2.8
Field of View	H: 58.9~5.1; V: 34.1~2.9; D: 66.6~5.8
Optical Zoom	15x
Focus Control	Auto/Semi-Auto/Manual
Close Focus Distance	1 m~1.5 m (3.28 ft~4.92 ft)
Iris Control	Auto / Manual
PTZ	
Pan/Tilt Range	Pan: 0° ~ 360° endless; Tilt: -2° ~ 90°, auto flip 180°
Manual Control Speed	Pan: 300°/s; Tilt: 200°/s
Preset Speed	Pan: 300°/s; Tilt: 200°/s
Presets	300
Tour	8 (up to 32 presets per tour)
Pattern / Scan	5 / 5
Speed Adjustment	Support
Power-off Memory	Support
Idle Motion Protocol	APreset/Tour/Pattern/Scanning XVi, Pelco-P/D (Auto recognition)
Video	
Resolution	1080P (1920 × 1080); 720P (1280 × 720); D1 (704 × 576/704 × 480)
Frame Rate	1080P (25/30 fps); 720P (25/30/50/60 fps)
Day/Night / BLC	Support / Support
WDR	120 dB
HLC	Support
White Balance	Auto/Indoor/Outdoor/Tracking/Manual/Sodium lamp/ Natural light/Street lamp
Gain Control	Auto/Manual
Noise Reduction	2D/3D
Motion Detection	Support
Region of Interest (Rol)	Support
Image Stabilization/Defog	Electronic/Electronic
Digital Zoom	16x
Flip	0°/180°
Privacy Masking	Up to 24 areas

Audio	
Compression	G.711a; G.711Mu
Function	
CVI Product Output Mode	CVI; TVI; AHD; CVBS
Port	
Analog Output	1 (CVBS/CVI output, BNC port)
RS485	1 (baud rate range: 1200 bps~9600 bps)
Audio Input	1
Alarm Input	2
Alarm Output	1
Power	
Power Supply	DC 12V/5A ± 10%
Power Consumption	Basic: 9.6W Max: 12W (module zooming, PTZ operations)
Environment	
Operating Temperature	-40°C to +60°C (-40°F to +140°)
Operating Humidity	≤ 95%RH
Protection	IP66; IK10; TVS 6000V lightning protection; surge protection
Structure	
Dimensions	234 mm × Φ186 mm (9.21" × Φ7.32")
Net Weight	2.3 kg (5.07 lb)
Gross Weight	4.3 kg (9.48 lb)

All logos & trade marks represent the registered users only. All rights reserved. All product specifications on this brochure are subject to change without notice.



CANADA:
351 Ferrier Street, Unit 5
Markham, ON L3R 5Z2
Toll Free: 1-866-843-6865
Tel: 416-410-6865

USA:
171 Cooper Ave. Suite 110
Tonawanda, NY 14150 USA
Toll Free: 1-866-843-6865
Local: 1-716-877-7277

UAE:
P O Box No 126312
Office Suite 703
Oxford Towers, Business Bay, Dubai, UAE
Tel: + 971 4 2767117

Rev. Sept. 30, 2020

info@watchnetinc.com
www.watchnetinc.com