

Industrial Gigabit PoE+ Splitter

POEDCSPLIT

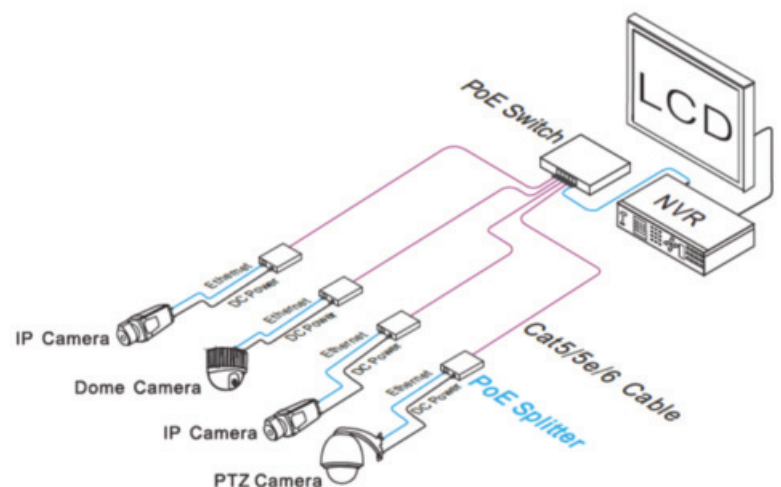
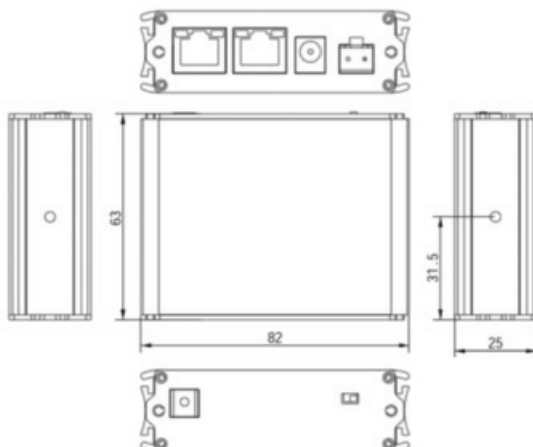


Industrial Gigabit PoE+ Splitter

KEY FEATURES

- Power Supply: Support 36~60V wide voltage input, 25W high power consumption output and DC 12V/24V switch output
- Compatible with mode A(End-span) and mode B(Mid-span)
- Conversion efficiency $\geq 90\%$, reduce the heat
- Standard: accord with IEEE802.3af/at, IEEE802.3 10Base-T/100Base-TX/IEEE802.3ab 1000Base-T
- Reliable connection: Network connectors adopt high-power PoE flat-pin RJ45 ports with 30u gold-plated
- Power output connectors support DC terminal and green terminal two styles
- Wide-temperature design: $-40^{\circ}\text{C} \sim 75^{\circ}\text{C} / -40^{\circ}\text{F} \sim 167^{\circ}\text{F}$ wide range, the aluminum shell is good for heat dissipation
- Structure: small volume, easy installation, accord with MIT rack and wall-mounted installation

POEDCSPLIT Splitter is consisting of one PoE Input Port, one Ethernet port, and one DC Power Output port. PoE (Power over Ethernet) technology allows the existing Ethernet infrastructure to transmit electrical power, along with data, to remote IP endpoints over the Ethernet cables. It fully complies with IEEE802.3 af/at standard, and can work with all IEEE802.3 af/at PoE compliant PSE (Power Sourcing Equipment) or PoE Supplier Adapter. It supports Mode A (endspan) and Mode B (mid-span). The maximum power available at PD is up to 25W and it delivers power up to 100 meters. It features optional 12V DC/24V DC power supply, Gigabit speed support, 6KV Surge Protection, 1.5KV circuit isolation, $-40^{\circ}\text{C} \sim 75^{\circ}\text{C} / -40^{\circ}\text{F} \sim 167^{\circ}\text{F}$ Operating Temperature, Industrial chip, and aluminum shell.



1

Switch for different output voltages

Adopt Code switch to adjust volatage (12V/24V), can be compatible with more equipment, such as IP Camera(12V)/AIO machine, PTZ camera(24V)



2

2 Type of DC output ports

2 kinds DC output connectors alternative, convenient for users to choose freely



3

Operates in Complex Environment

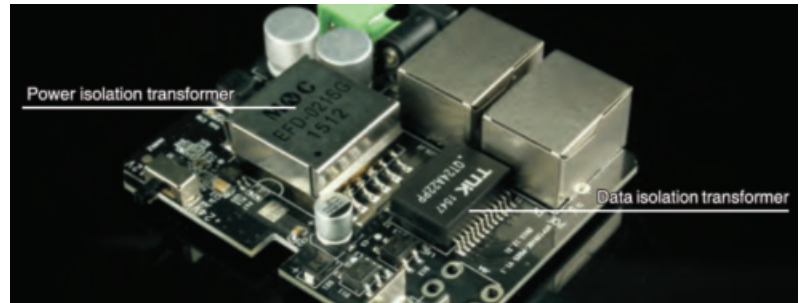
Level 3 ESD & Surge Protection;
Operation Temperature: -40°C ~75°C/-40°F ~167°F
Able to operate in most locations



4

Double isolation for better security

Signal and power isolated separately, avoiding the risk of signal interference and electric equipment burn out which is caused by non-isolation



Item		Description
Interface	PoE In	1×RJ45
	Data Out	1×RJ45
	DC Out	1x green terminal 1xDC connector (*alternative)
	Grounding	Grounding Terminal
PoE Power Supply	Protocol	IEEE803.2af/at
	Power Supply	Support Mode A (End-Span) and Mode B (Mid-Span)
	Power Requirements	PoE36V~60V 30W(max)
	Power Consumption	≤25.4W
	Output Power	DC 12V/24V by DIP switch control
	Output Ripple	<5%
Ethernet Port Parameter	Transmission Distance	100m
	Transmission Speed	10/100/1000Mbps
	Transmission Medium	Cat5/5e/6 Standard Network Cable
Status Indicator	Input PoE Power	1 (PoE IN Port RJ45 Yellow Light)
	Output DC Power	1 (Ethernet Port RJ45 Yellow Light)
Protection Level	ESD	3 level, Standard:IEC61000-4-2
	Surge	PoE Power: 3KV (Differential Mode), 6KV (Common Mode)1.2/50us, 8/20us
		Ethernet: 3KV (Differential Mode), 6KV (Common Mode)10/7000us
Environmental	Operating Temperature	-40°C ~ 75°C / -40°F ~ 167°F
	Storage Temperature	-40°C ~ 85°C / -40°F ~ 185°F
	Humidity (non-condensing)	0 ~ 95%
Mechanics	Dimensions (LxWxH)	82mm x 63mm x 25mm / 3.23" x 2.48" x 0.98"
	Weight	180g / 0.40lb
	Color	Black
	Material	Aluminum

All product specifications are subject to change without notice.

All logos & trade marks represent the registered users only. All rights reserved.

CANADA:

351 Ferrier Street, Unit 5
Markham, Ontario
L3R 5Z2, Canada
Tel: 416-410-6865
Toll Free: 1-866-843-6865

USA:

171 Cooper Avenue, Site 110
Tonawanda, NY
14150 USA
Toll Free: 1-866-843-6865
Local: 1-716-877-7277

UAE:

P O Box No 126312
Office Suite 703
Oxford Towers, Business Bay
Dubai, UAE
Tel: + 971 4 2767117

March 01, 2021

www.watchnetinc.com
info@watchnetinc.com