

XVI ENHANCED CVI

MegaPixel over UTP/Coax



XVI-21MP4X



2.1MP HD Optical Zoom PTZ Camera

- ❖ 1/2.8" 2.1MP CMOS image sensor
- ❖ Powerful 4x optical zoom
- ❖ Max. 25/30 fps@1080P, 25/30/50/60 fps@720P
- ❖ 120dB true WDR, 3D DNR
- ❖ 2.7mm - 11mm focal lens
- ❖ IP66, IK10, 12V DC/1.5A±10%
- ❖ Up to 300 presets, 8 tour (up to 32 presets per tour)
- ❖ OSD Menu, MegaPixel over UTP/Coax
- ❖ CVI Compatible Camera

2.1MP 1080P Mini HD CVI PTZ Dome Camera

| Pendant Mount BRACK-PM-06 | Junction Back Box BRPOLEMXC | Hinged Back Box BRACK-WM-48 |
|------------------------------|--------------------------------|--------------------------------|
| | | |

Optional Brackets



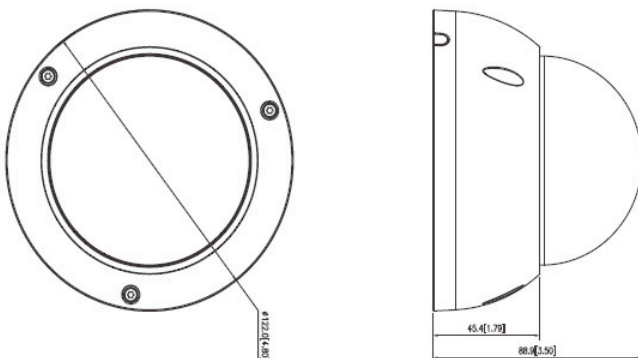
BRACK-PM-06
Pendant Mount



BRPOLEMXC
Pole Mount Bracket



BRACK-WM-48
Wall Mount Bracket



| Model | XVI-21MP4X |
|--------------------------|---|
| Camera | |
| Image Sensor | 1/2.8" 2.1 MP CMOS Image Sensor |
| Max. Resolution | 1920(H) x 1080(V) |
| ROM/RAM | 16 MB / 256 MB |
| Electronic Shutter Speed | 1/3 s–1/100000 s |
| Scanning System | Progressive |
| Min. Illumination | Color: 0.05 Lux@F1.6 / B/W: 0.005 Lux@F1.6 |
| Lens | |
| Focal Length | 2.7 mm–11 mm |
| Max. Aperture | F1.6–F2.7 |
| Field of View | H: 112.5°–30°; V: 54.2°–19.9°; D: 122.3°–40.6 |
| Optical Zoom | 4x |
| Focus Control | Auto/Semi-Auto/Manual |
| Close Focus Distance | 0.5 m–1 m (1.64 ft–3.28 ft) |
| Iris Control | Fixed |
| PTZ | |
| Pan/Tilt Range | Pan: 0°–355° / Tilt: 0°–90° |
| Manual Control Speed | Pan: 0.1°–100°/s / Tilt: 0.1°–60°/s |
| Preset Speed | Pan: 100°/s; Tilt: 60°/s |
| Presets | 300 |
| Tour | 8 (up to 32 presets per tour) |
| Speed Adjustment | Support |
| Power-off Memory | Support |
| Idle Motion | Preset/Tour |
| Protocol | XVi, Pelco-P/D (Auto recognition) |
| Video | |
| Resolution | 1080P (1920 × 1080); 720P (1280 × 720); D1 (704 × 576/704 × 480) |
| Frame Rate | 1080P (25/30 fps); 720P (25/30/50/60 fps) |
| Day/Night | Support |
| CVI Product Output Mode | CVI; TVI; AHD; CVBS |
| BLC | Support |
| White Balance | Auto/Indoor/Outdoor/Tracking/Manual/ Sodium lamp/Natural/Street lamp |
| WDR | 120 dB |
| Gain Control | Auto/Manual |
| Noise Reduction | 2D/3D |
| Defog | Electronic |
| Digital Zoom | 16x |
| Flip | 0°/180° |

| | | | | |
|-----------------------|---|-------------------|------------------|------------------|
| DORI Distance | Detect | Observe | Recognize | Identify |
| | 120m (393.70ft) | 48m (157.48ft) | 24m (78.74ft) | 12m (39.37ft) |
| Port | | | | |
| Analog Output | 1 (CVBS/CVI output, BNC port) | | | |
| RS485 | 1 (baud rate range: 1200 bps–9600 bps) | | | |
| Power | | | | |
| Power Supply | 12V DC/1.5A±10% | | | |
| Power Consumption | 5W 6W (PTZ on) | | | |
| Environment | | | | |
| Operating Temperature | -30°C to +60°C (-22°F to +140°F) | | | |
| Operating Humidity | ≤ 95%RH | | | |
| Protection | IP66; IK10; TVS 4000V lightning proof; surge protection; voltage transient protection | | | |
| Structure | | | | |
| Casing | Metal | | | |
| Dimensions | Φ122 mm × 89 mm (4.80" × 3.50") | | | |
| Net Weight | 0.6 kg (1.32 lb) | | | |
| Gross Weight | 0.65 kg (1.43 lb) | | | |

All logos & trade marks represent the registered users only. All rights reserved. All product specifications on this brochure are subject to change without notice.



FREE Multisite VMS software
Download from www.watchnetinc.com



CANADA:
351 Ferrier Street, Unit 5
Markham, ON L3R 5Z2
Toll Free: 1-866-843-6865
Tel: 416-410-6865

USA:
171 Cooper Ave. Suite 110
Tonawanda, NY 14150 USA
Toll Free: 1-866-843-6865
Local: 1-716-877-7277

UAE:
P O Box No 126312
Office Suite 703, Oxford Towers,
Business Bay, Dubai, UAE
Tel: + 971 4 2767117

Rev May 05, 2021
info@watchnetinc.com
www.watchnetinc.com