

### Wall Mount Bracket



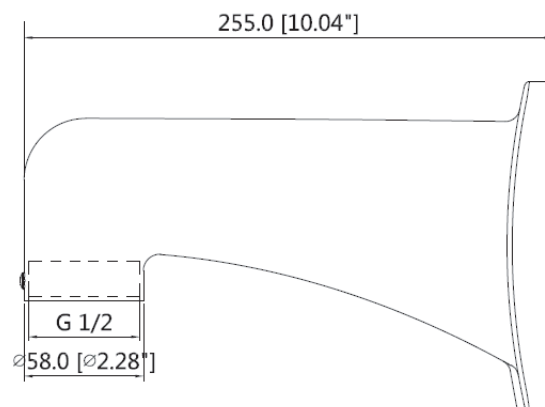
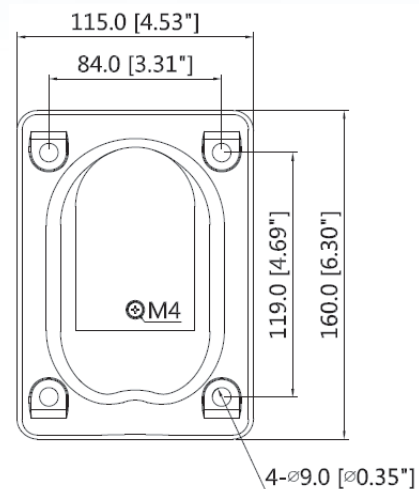
BRACK-WML

- Aesthetic design
- Wall mount bracket
- Material: aluminum

Model	BRACK-WML
General	
Material	Aluminum
Dimension	115mm x 160mm x 255mm (4.53" x 6.3" x 10.04")
Load Bearing	7kg (15.43lb)
Weight	0.66kg (1.46lb)
Color	White
Operating Temperature	-40°C ~ 60°C (-40°F ~ 140°F)
Humidity	<90% RH

#### Package Information:

- Wallmount bracket x1



All logos & trade marks represent the registered users only. All rights reserved.  
All product specifications on this brochure are subject to change without notice.

**CANADA:**  
351 Ferrier Street, Unit 5  
Markham, ON L3R 5Z2  
Toll Free: 1-866-843-6865  
Tel: 416-410-6865

**USA:**  
171 Cooper Ave. Suite 110  
Tonawanda, NY 14150 USA  
Toll Free: 1-866-843-6865  
Local: 1-716-877-7277

**UAE:**  
P O Box 126312  
No 703, Oxford Towers  
Business Bay, Dubai, UAE  
Tel: + 971 4 2767117

October 28, 2022

info@watchnetinc.com  
www.watchnetinc.com