

BLS-12MP360

12 Mega Pixel Fisheye Network Camera

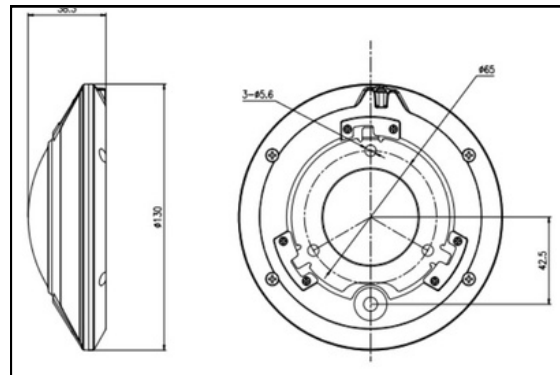


Features :

- 1/1.7" progressive scan CMOS
- 25fps @ 12 mega pixel (4000x3000)
- Multi dewarping modes and front end image correction
- Support human and vehicle detection
- Intelligent analysis: intrusion, single line crossing, double line crossing, loitering, wrong-way, people counting, smart motion detection and heat map
- DWDR, 3D DNR, ROI, Defog, HLC
- Built-in microphone
- Smart IR distance up to 15 m
- IP66

Dimensions(mm) :

Bracket: 141 × 116.2 × 116.2mm (5.55 × 4.57 × 4.57")



Adapter: φ122.8 × 70mm (φ4.83 × 2.76")

Note:

WatchNET NDA Network Video Recorders work only with Blue Series Cameras



*When the fisheye device switches to non fisheye mode, the intelligence functions cannot be used

Specifications

Camera	
Image Sensor	1/1.7" Progressive Scan CMOS
Max. Resolution	4000(H) 3000(V)
Electronic Shutter	Auto/Manual, 1/5 ~ 1/20,000s
Min. illumination	Color: 0.01 Lux @ (F2.4, AGC ON) B/W: 0 Lux @ (IR LED ON)
Day & Night	Auto(ICR)
IR Distance	Up to 15 m (49.2 ft)
IR On/Off Control	Auto/Manual
Lens	
Lens Type	Fixed
Iris	Fixed Iris
Focal Length	1.8 mm
F Number	F2.4
Angle of View	180"x180"
Video	
Streaming Capability	2 Streams
Stream/Frame Rate	One-Channel: 4000 3000, 4000 2000, 3840 2160, 3000 3000, 3000 752, 2560 2560, 1920 1080 @25fps Multi-Channel: 1520 1520, 960 960, 720 720, 640 640 @25fps
Sub Stream	One-Channel: 1280 960, D1, 720 720 @25/25fps Multi-Channel: 640 640 @25/25fps
Bit Rate Control	CBR/VBR
Bit Rate	One-Channel: Stream1: 500Kbps~16Mbps Stream2: 200Kbps~8Mbps Multi-Channel: Stream1: 100Kbps~12Mbps Stream2: 100Kbps~6Mbps
Smart Encoder	Support
Region of Interest (ROI)	Support (Single-channel and fisheye mode)
Audio	
Compression	G.711:8kbps
Bit Rate	16kbps (G.711)
Smart Function	
Smart Detection	Support human and vehicle detection
Intelligent Analysis	Intrusion, Single & Double line crossing, Loitering, Wrong way, Illegal Parking (the six functions support the accurate detection of vehicle and human), People counting
People Counting	Support
Heat Map	Support
Interface	
Network Interface	1 Ethernet (10/100 Base-T) RJ-45 Connector
Audio Interface	1ch Input, 1ch Output
Microphone	Built-in 1ch Mic
Alarm Interface	1ch Input, 1ch Output
SD Card Slot	Built-in, up to 1TB
Reset Button	Support

*All logos & trade marks represent the registered users only. All rights reserved.
*All product specifications on this brochure are subject to change without notice.

Image	
Image Adjustment	Brightness, Sharpness, Contrast, Saturation adjustable
Mirror	Support
White Balance	Auto/Manual
Day/ Night Setting	Auto, Day, Night, Time
Smart IR	Support
Noise Reduction	2D/3D DNR
Image Enhancement	HLC, BLC, Defog, Anti-shake
Wide Dynamic Range	DWR
S/N Ratio	55dB
Motion Detection	Support
Privacy Masking	Support 40 zones, mask color configurable
Network	
Protocols	IPv4/IPv6, TCP/IP, HTTP, HTTPS, UPnP, UDP/IP, RTSP/RTCP/RTP, IGMP/Multicast, SMTP, DHCP, NTP, DNS, QoS, SNMP, 802.1x, UDP, ICMP, ARP, TLS
Interoperability	ONVIF, SDK
Streaming Method	Unicast
Max. User Access	10 Users
Web Viewer	<IE11, Chrome, Firefox
Language	English, Chinese, Polish, Italian, Portuguese, Spanish, Russian, French, Czech, Hungarian. Default: English
Fisheye Display	
Mount Type	Ceiling Mount, Wall Mount, Table Mount
Decoding Mode	On-board Dewarping/Client-side Dewarping
Display Mode	12 display modes in total Client-side Dewarping: fisheye view, fisheye view + 3PTZ, fisheye view + 8PTZ, 4PTZ, cylinder, 180 panorama view, 360 panorama view, 360 panorama + PTZ, 360 panorama + 3PTZ, 360 panorama + 6PTZ, 360 panorama + 8PTZ, half sphere On-board Dewarping: Fisheye view, 360 panorama view, 4PTZ, 180 panorama view, fisheye + 3PTZ
Electrical	
Power Supply	DC12V (-15%~+20%)/POE (IEEE 802.3af)
Power Consumption	Max 9 W
Operating Temperature	-30 C ~ 60 C (-22 F ~ 140 F)
Operating Humidity	Less than 90% RH
Ingress Protection	IP66
Certifications	CE/FCC
Casing	Metal
Dimensions	130 x 38.3 mm (5.12" x1.51")
Net Weight	0.5 kg (1.10 lb)

Accessories	
BLS-WM-360	
BLS-BB-45	



CANADA:
351 Ferrier Street, Unit 5
Markham, Ontario L3R 5Z2
Canada
Tel: 416-410-6865
Toll Free: 1-866-843-6865

USA:
171 Cooper Ave.
Suite 110, Tonawanda
New York 14150, USA
Tel: 1-716-877-7277
Toll Free: 1-866-843-6865

MIDDLE EAST:
PO Box No 126312
Office Suite 703, Oxford
Tower Business Bay, Dubai,
UAE
Tel: + 971 4 2767117

March 2024

www.watchnetinc.com
info@watchnetinc.com