

BLS-BB-45

Junction Box



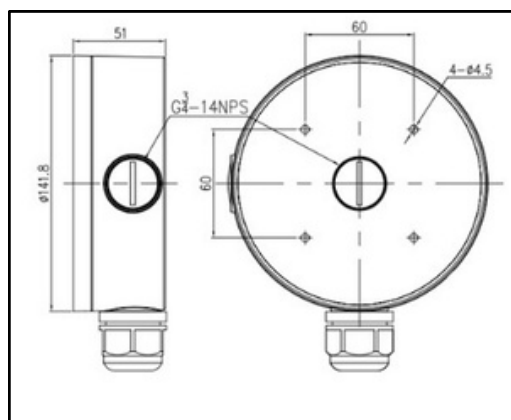
NDA
Compliant



Specifications :

Parameter	
Material	Aluminum alloy + Plastic
Color	White
Operating Humidity	0% - 90% RH
Load Bearing	3 kg (6.61 lb)
Product Dimensions	φ141.8 × 51mm (φ5.58 × 2.0")
Product Weight	0.58kg (0.66 lb)

Dimensions(mm) :



CANADA:
351 Ferrier Street, Unit 5
Markham, Ontario L3R 5Z2
Canada
Tel: 416-410-6865
Toll Free: 1-866-843-6865

USA:
171 Cooper Ave.
Suite 110, Tonawanda
New York 14150, USA
Tel: 1-716-877-7277
Toll Free: 1-866-843-6865

MIDDLE EAST:
PO Box No 126312
Office Suite 703, Oxford
Tower Business Bay, Dubai,
UAE
Tel: + 971 4 2767117

March 2024

www.watchnetinc.com
info@watchnetinc.com