



BMP 40x SENSEFIER IR PTZ AI Network Camera

MPIX-80IRPTZAIR2



PRODUCT FEATURES

- 1/1.8" CMOS 8.0MP Network PTZ Camera
- Powerful 40x optical zoom
- 5.6mm ~ 223mm focal lens
- SENSEFIER technology
- IR distance up to 500m/1640ft
- WDR(120dB), Supports Hi-PoE
- Smart wiper
- IP67, Micro SD card 512GB

AI Functions:

- Video Metadata
- Fenced Area protection
- Line Crossing (Person & Vehicle Classification)
- Auto Tracking

* Wallmount Bracket and Power Adapter included



FREE Multisite VMS software
Download from www.watchnetinc.com

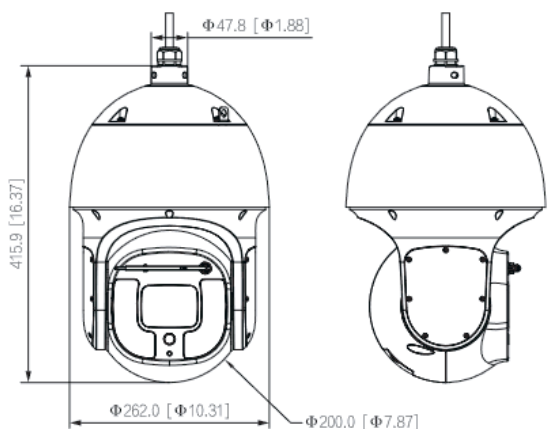
Pole Mount	Corner Mount	Junction Back Box
BRPOLEMXC	BRCORNMXC	BRACK-PTZBB120



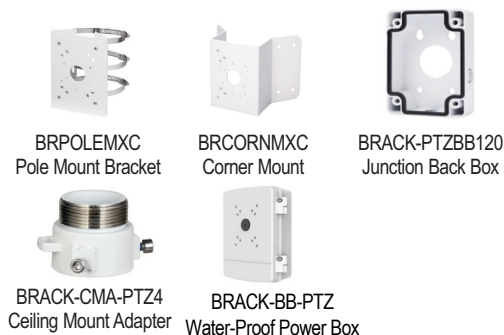
Wallmount Bracket Included



DC 36V/2.23A Power Adapter Included



Optional Brackets



Model Number		MPIX-80IRPTZAIR2			
Camera					
Image Sensor	1/1.8" CMOS				
Effective Pixels	3840 (H) x 2160 (V), 8 Megapixels				
Scanning System	Progressive				
Electronic Shutter Speed	1/1 s–1/30,000 s				
ROM / RAM	8GB / 2GB				
Minimum Illumination	Color: 0.005 Lux@F1.4 B/W: 0.0005 Lux@F1.4 / 0 Lux@F1.4 (illuminator on)				
Wiper	Smart wipe				
IR Distance	Up to 500m (1640.42ft)				
IR On/Off Control	Zoom Prio; Manual; Smart IR				
IR LEDs	10				
LENS					
Focal Length	5.6mm ~ 223mm				
Max. Aperture	F1.4 - F4.5				
Angle of View	H: 63.9°–2.0°; V: 37.3°–1.1°; D: 71.2°–2.3°				
Optical Zoom	40x				
Focus Control	Auto; Semi-Auto; Manual				
Iris Control	Auto/Manual				
Close Focus Distance	0.5m–2m (1.64ft–6.56ft)				
PTZ					
Pan/Tilt Range	Pan: 0° to 360° Tilt: -30° to +90°, auto flip 180°				
Manual Control Speed	Pan: 0.1°/s–240°/s / Tilt: 0.1°/s–100°/s				
Preset Speed	Pan: 240°/s; Tilt: 120°/s				
Presets	300				
Tour	8 (up to 32 presets per tour)				
Patern / Scan	5 / 5				
Speed Adjustment	Yes				
Power-off Memory	Yes				
Idle Motion	Preset; Tour; Pattern; Scanning				
General Intelligence					
Event Trigger	Motion detection, video tampering, scene changing, network disconnection, IP address conflict, illegal access, and storage anomaly				
IVS	Object Abandoned; Object Missing				
Artificial Intelligence					
Fenced Area Protection	Line crossing and intrusion. Support alarm triggering by target types (human and vehicle). Support filtering false alarms caused by animals, rustling leaves, bright lights, etc.				
Video Metadata	Support human body, human face, motor vehicle and non-motor vehicle image capture and attributes extraction.				
Auto Tracking	Yes				
Audio					
Compression	G.711a; G.711mu; G.726; AAC; G722.1; G.729; MPEG2- Layer2; G723				
DORI Distance	Detect	Observe	Recognize	Identify	
	4400m (14435.70ft)	1740m (5708.66ft)	880m (2887.14ft)	440m (1443.57ft)	

* All product names, logos and brands are property of their respective owners. All company products and service names used on this box/website/brochure are for identification purposes only. Use of these names, logos and brands does not imply endorsement. 2022 WatchNET Inc.
© All Rights Reserved. All product specifications are subject to change without notice.

Video	
Compression	Smart H.265+; H.265; Smart H.264+; H.264; MJPEG (Sub Stream 1)
Streaming Capability	3 Streams
Resolution	4K (3840 × 2160); 4M (2560 × 1440); 1080p (1920 × 1080); 1.3M (1280 × 960); 720p (1280 × 720); D1 (704 × 576); CIF (352 × 288)
Frame Rate	Main stream: 4K/1080p/1.3M/720p (1–25/30 fps)
	Sub stream1: D1/CIF (1–25/30 fps)
	Sub stream2: 1080p/1.3M/720p (1–25/30 fps)
Bit Rate Control	Variable; Constant
Bit Rate	H264: 512 Kbps–16384 Kbps H265: 256 Kbps–10240 Kbps
Day/Night	Auto (ICR); Color; B/W
BLC	Yes
WDR	120dB
HLC	Yes
White Balance	Auto; Indoor; Outdoor; Tracking; Manual; Sodium Lamp; Natural; Street Lamp
Gain Control	Auto; Manual
Noise Reduction	2D; 3D
Motion Detection	Yes
Rol	Yes
Defog	Optical
Digital Zoom	16x
Flip	0°; 180°
Privacy Masking	Up to 24 areas, and up to 8 areas in the same view
S/N Ratio	≥ 55 dB
Network	
Ethernet	1 RJ-45 Port (10/100Base-T)
Protocol	IPv4; IPv6; HTTP; HTTPS; 802.1x; QoS; FTP; SMTP; UPnP; SNMP v1/v2c/v3 (MIB-2); DNS; DDNS; NTP; RTSP; RTP; TCP; UDP; IGMP; ICMP; DHCP; PPPoE; ARP; RTCP; RTMP
Interoperability	ONVIF Profile S&G&T; CGI
Streaming Method	Unicast / Multicast
Max. User Access	20 users (total bandwidth 64 MB)
Storage	FTP; Micro SD card (512GB)
Web Viewer	IE7 and later version, Chrome 42 and earlier versions, Firefox 52 and earlier versions, Safari
Smart Phone	iOS, Android
Port	
Analog Output	1 BNC
RS-485	1 (baud rate range:1200 bps–9600 bps)
Audio I/O	1 / 1
Alarm I/O	7 / 2
Electrical	
Power Supply	DC 36V/2.23A±25%, Hi-PoE
Power Consumption	30W, 48W (IR light on)
Environmental	
Operating Temperature/Humidity	-40°C ~ 70°C (-40°F ~ +158°F) / ≤95%RH
Protection	IP67; TVS 6000V lightning protection; surge protection; voltage transient protection
Construction	
Casing	Metal
Dimensions	415.6mm × Φ262mm (16.36" × Φ10.31")
Net/Gross Weight	10kg (22.05lb) / 12kg (26.46lb)

CANADA:
351 Ferrier Street, Unit 5
Markham, ON L3R 5Z2
Toll Free: 1-866-843-6865
Tel: 416-410-6865

USA:
171 Cooper Ave. Suite 110
Tonawanda, NY 14150 USA
Toll Free: 1-866-843-6865
Local: 1-716-877-7277

UAE:
P O Box 126312
No 703, Oxford Towers
Business Bay, Dubai, UAE
Tel: +971 4 2767117

Jan. 03, 2022

info@watchnetinc.com
www.watchnetinc.com