

## BLS-50IRPTZA130X 5MP IR PTZ Network Camera



### Features:

- 1/2.8" progressive scan CMOS
- 30x optical zoom, 16x digital zoom
- Focal Length Lens - 5.3 ~ 159mm
- 5MP(2592×1944) @ 25/30fps
- WDR, 3D DNR, ICR, HLC, BLC, Defog
- Smart IR up to 150m/492.1ft
- Audio Interface - 1CH Input, 1CH Output
- Alarm Interface - 2CH Input, 2CH Output
- Built-in SD card slot, up to 256GB
- IP66, PoE+

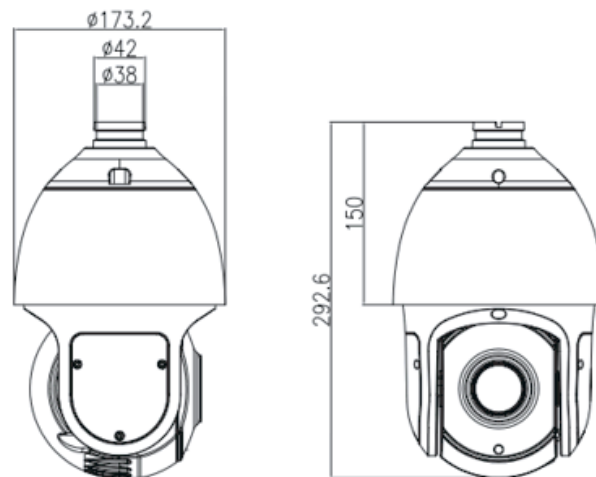
### Smart Function:

- Supports face, human, vehicle detection

### Intelligent Detection:

- Fenced area
- Single virtual fence
- Double virtual fences
- Loiter
- Converse
- People counting

### Dimensions (mm)



## Specifications

Camera	
Image Sensor	1/2.8" Progressive Scan CMOS
Electronic Shutter	Auto/Manual, 1/5 ~ 1/20,000s
Min. illumination	Color: 0.07 Lux @ (F1.6, AGC ON) B/W: 0 Lux (IR LED ON)
S/N Ratio	55dB
Day/Night	Auto(ICR)/Day/Night/Time
Wide Dynamic Range	True WDR
IR Range	Smart IR, Up to 150m (492.1ft)
IR On/Off Control	Auto/Manual
Lens	
Focal Length	5.3 ~ 159mm
Max. Aperture	F1.6 ~ F4.3
Angle of View	H: 55° ~ 2.3°, H: 41.6° ~ 1.7°
Optical Zoom	30x
Digital Zoom	16x
Focus Control	Auto/Manual
PTZ	
Pan/Tilt Range	Pan: 0° ~ 360° endless, Tilt: -10° ~ +90°
Manual Control Speed	Pan: 0.1° ~ 180°/s, Tilt: 0.1° ~ 90°/s
Preset Speed	Pan: 180°/s, Tilt: 90°/s
Presets	400
PTZ Mode	6 Track, 12 Scan, 12 Tour (up to 32 presets per tour)
3D Positioning	Support
Power-Off Memory	Support
PTZ Status Display	Support
Video	
Max. Resolution	5MP (2592×1944)
Streaming Capability	3 Streams
Stream/Frame Rate	Stream 1: 2592×1944, 2560×1520, 1920×1080, 1280×720 @ 25/30fps Stream 2: D1, VGA, CIF @ 25/30fps Stream 3: VGA, CIF, QVGA @ 25/30fps
Bit Rate Control	CBR/VBR
Bit Rate	Stream 1: 200kbps~12Mbps Stream 2: 100kbps~6Mbps Stream 3: 100kbps~3Mbps
Image Enhancement	HLC / BLC / Defog / WDR
White Balance	Auto
Gain Control	Auto/Manual
Noise Reduction	2D/3D DNR
Aisle Mode	Support
Smart IR	Support
Mirror	Support
Region of Interest	Off/On (8 Zone, Rectangle)
Motion Detection	Support
Privacy Masking	Support

Intelligence	
Smart Function	Support face, human, vehicle detection
Intelligent Detection	Fenced Area detection, Single virtual fence, Double virtual fences, Loiter, Converse (the five functions support the accurate detection of vehicle and human), People counting
Audio	
Compression	G.711, RAW_PCM
Bit Rate	8kbps(G.711), 16kps(RAW_PCM)
Network	
Protocols	IPv4, IPv6, TCP / IP, HTTP, HTTPS, UPnP, RTSP / RTP / RTCP, IGMP / Multicast, SMTP, DHCP, NTP, DNS, DDNS, QoS, SNMP, 802.1X, UDP, ICMP, ARP, TLS
Interoperability	ONVIF, SDK, CGI
Streaming Method	Unicast
Max. User Access	10 Users
Web Viewer	<IE11, Chrome, Firefox, Microsoft Edge
Interface	
Network Interface	1 × RJ-45, 10/100 Mbps self-adaptive Ethernet port
Audio Interface	1CH Input, 1CH Output
Alarm Interface	2CH Input, 2CH Output
RS485	N/A
CVBS Output	N/A
Built-in SD Card Slot	Yes, up to 256GB
Electrical	
Power Supply	AC24V/POE+ (IEEE802.3at)
Power Consumption	Less than 24 W
Operating Temperature	-40°C ~ 60°C (-40°F ~ 140°F)
Operating Humidity	Less than 90% RH
Ingress Protection	IP66, TVS4000V
Certifications	CE/FCC
Casing	Metal
Dimensions	φ173.2×292.6mm (φ6.82×11.52 inch)
Net Weight	3.5kg (7.72lb)

\* All product names, logos and brands are property of their respective owners. All company products and service names used on this brochure are for identification purposes only. Use of these names, logos and brands does not imply endorsement. 2022 WatchNET Inc. © All Rights Reserved  
All product specifications are subject to change without notice.

### CANADA:

351 Ferrier Street, Unit 5  
Markham, ON L3R 5Z2  
Toll Free: 1-866-843-6865  
Tel: 416-410-6865

### USA:

171 Cooper Ave. Suite 110  
Tonawanda, NY 14150 USA  
Toll Free: 1-866-843-6865  
Local: 1-716-877-7277

### UAE:

P O Box 126312  
No 703, Oxford Towers  
Business Bay, Dubai, UAE  
Tel: +971 4 2767117

Rev. May 11, 2022

www.watchnetinc.com  
info@watchnetinc.com