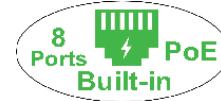




BLS-NVR8POE 8CH 2HDD NVR with 8CH PoE

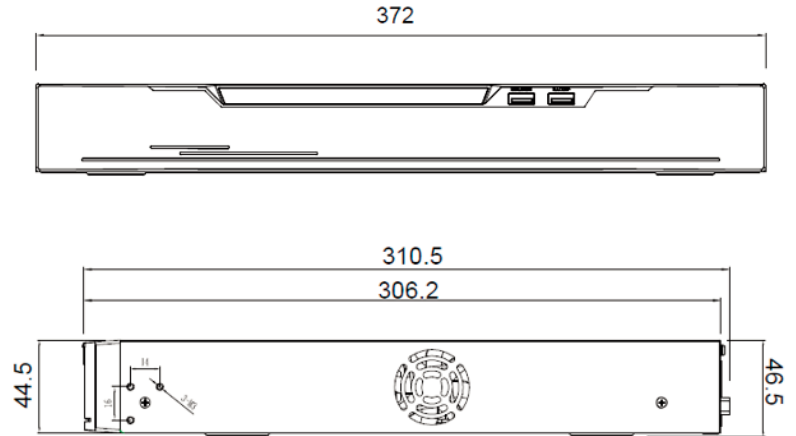
4K



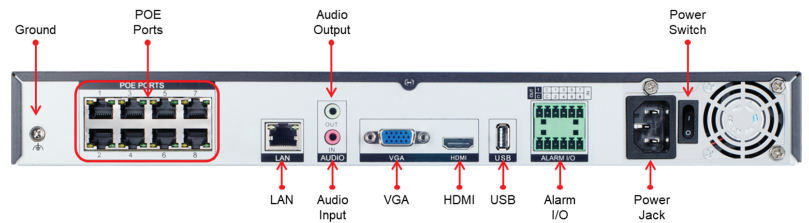
Features:

- Up to 8CH IP cameras access
- Up to 8MP resolution for live view and recording
- Intelligent analysis by NVR: Intrusion
(Support the accurate detection of vehicle and human)
- 2 SATA hard disk up to 12TB each
- 1 RJ45 10/100/1000Mbps network interface
- 8CH POE ports
- Audio I/O - 1/1
- Alarm Input - 8 CH
- Alarm Output - 1 CH
- Decoding Capacity:
1CH 8MP, 4CH 1080P, 8CH D1@30fps
- Incoming Bandwidth - 56 Mbps
- Outgoing Bandwidth - 56 Mbps
- Smart search & playback

Dimensions (mm)



Rear Panel



Note:
WatchNET NDA Network Video Recorders work only with Blue Series Cameras



Specifications

Video Input	
IP Camera Input	8 Channel
Incoming Bandwidth	56 Mbps
Outgoing Bandwidth	56 Mbps
Video Output	
HDMI Output	3840×2160, 1920×1080, 1280×1024, 1024×768
VGA Output	1920×1080, 1280×1024, 1024×768
Decoding Capacity	1CH 8MP, 4CH 1080P, 8CH D1@30fps
Dual Stream	Support
Multi-screen Display	1/4/8/9
Recording	
Resolution	8MP, 6MP, 5MP, 4MP, 3MP, 1080P, 720P, D1 etc.
Recording Mode	Manual, Schedule (Regular, Continuous), Event
Trigger Events	Motion Detection, Video Loss, Alarm in, IVS
Playback and Backup	
Sync Playback	9/4/1
Search Mode	Time / Date, Alarm, Picture grid, Event
Backup Mode	USB Device, Network
Alarm	
General Alarm	Motion Detection, Video Loss, Alarm in, Alarm out, IVS (by camera)
Abnormal Alarm	Disk Alarm, IP Address Conflict, Network Disconnect
Intelligent Analysis	Intrusion (support the accurate detection of vehicle and human)
Network	
Network Function	HTTP, HTTPS, TCP/IP, IPv4, UPnP, UDP, RTSP, SMTP, NTP, DNS, DHCP, P2P, IP Filter, DDNS, 802.1X, SNMP, 3G/4G, PPPoE
Remote Users	8 users
Smart Phone	iPhone, iPad, Android
Interoperability	ONVIF, SDK, CGI

Storage	
HDD	2 SATA Ports, up to 12TB for each HDD
Interface	
Interface	1 × RJ-45, 10/100/1000 Mbps self-adaptive Ethernet port
PoE	8 Ports (IEEE 802.3af), 64W
HDMI	1
VGA	1
Audio I/O	1/1
Alarm I/O	8 CH / 1 CH
USB	3 ports (USB 2.0 × 3)
General	
Power Supply	AC100 ~ 240V
Power Consumption	< 15 W (without HDD)
Operating Temperature	-10°C ~ 50°C (14°F ~ 122°F)
Operating Humidity	Less than 90% RH
Certifications	CE/FCC
Dimensions	372 × 310.5 × 46.5 mm (16.65 × 12.2 × 2.2 inch)
Net Weight	2.1kg (4.63lb) without HDD

* All product names, logos and brands are property of their respective owners. All company products and service names used on this brochure are for identification purposes only. Use of these names, logos and brands does not imply endorsement. 2022 WatchNET Inc. © All Rights Reserved
All product specifications are subject to change without notice.

CANADA:

351 Ferrier Street, Unit 5
Markham, ON L3R 5Z2
Toll Free: 1-866-843-6865
Tel: 416-410-6865

USA:

171 Cooper Ave. Suite 110
Tonawanda, NY 14150 USA
Toll Free: 1-866-843-6865
Local: 1-716-877-7277

UAE:

P O Box 126312
No 703, Oxford Towers
Business Bay, Dubai, UAE
Tel: +971 4 2767117

Rev. April 20, 2021

www.watchnetinc.com
info@watchnetinc.com