

## PoE Injector (Gigabit/60W)

POEI60



## PoE Injector (Gigabit/60W)

### Overview

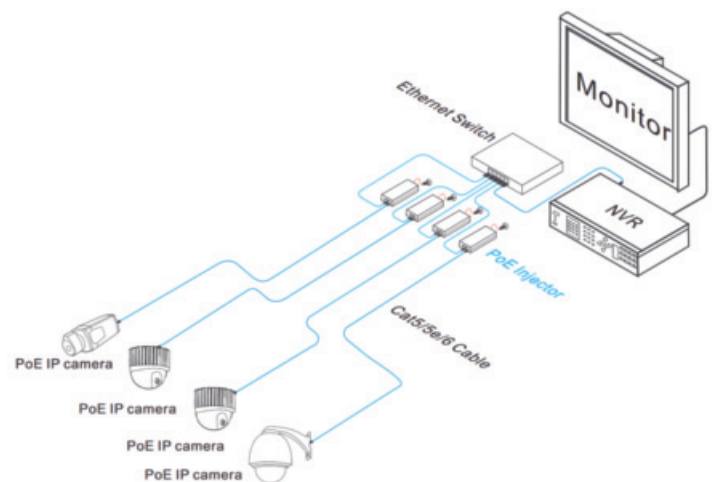
This is a single-port PoE injector with one Ethernet port, one PoE output port, and one AC input power port. It supports end-span PoE and the output power consumption is up to 60W; It features: 10/100M/1000Mbps network, 100m transmission distance, 6KV lightning protection, industrial-level chip, and patent alert. It's an excellent choice for power supply and network transmission on PTZ cameras, all-in-one PC, digital display system.

### KEY FEATURES

- PoE++ power supply standard; Output power consumption up to 60W
- Ultra PoE, IEEE 802.3af/at, IEEE 802.3 10Base-T/100Base-TX/IEEE802.3ab 1000Base-T
- Higher conversion efficiency(90%); Lower heat radiation
- Working Temperature: -10°C~55°C / 14°F ~ 131°F
- 6KV lightning protection; 8KV ESD
- No fan, no noise, dustproof
- LEDs indicate operation status

**Note:** The transmission distance depends on the signal source and cable quality, standard Cat5e/6 cable is strongly suggested for reaching the maximum transmission distance!

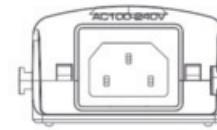
### Application



Item	Description	
Interface	Input Voltage	AC100V~AC240V
	Data Input	1×RJ45
	PoE output	1×RJ45
PoE	PoE Power Supply Type	End-span/Mid-span
	PoE Power Output	DC 54V/60 watts max. If 60W PoE only support MAXIM chip solution; If 30W PoE(af/at standard) can support all standard device
	Output Ripple	<5%
Ethernet Port	Power Pin Assignment	Pair1: 1/2(+), 3/6(-) Pair2: 4/5(-), 7/8(+)
	Communication Port	1×RJ45 Input
	Transmission Rate	10/100/1000Mbps
	Transmission Medium	Cat5/5e/6 Cable
Status	Distance	100m (Max.)
	Power LED	1 (Red)
Protection	PoE LED	1 (Orange)
	Surge Protection	PoE Power: 1KV(Differential Mode), 2KV(Common Mode)1.2/50us, 8/20us
		Ethernet: 2KV(Differential Mode), KV(Common Mode)10/7000us
ESD	1a Contact Discharge Level 3	
	1b Air Discharge Level 3 Per: IEC61000-4-2	
Environment	Working Temperature	-10°C ~ 55°C / 14°F ~ 131°F
	Storage Temperature	-40°C ~ 85°C / -40°F ~ 185°F
	Humidity(Non-condensing)	0~90%
	Dimension(LxWxH)	160mm×64mm×60mm / 6.3"×2.52"×2.36mm
Mechanics	Material	ABS Plastics
	Color	Black
	Weight	200g/0.44lb

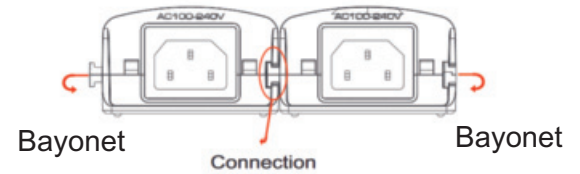
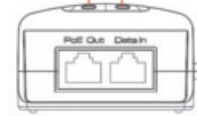
## Board Diagram

### Front

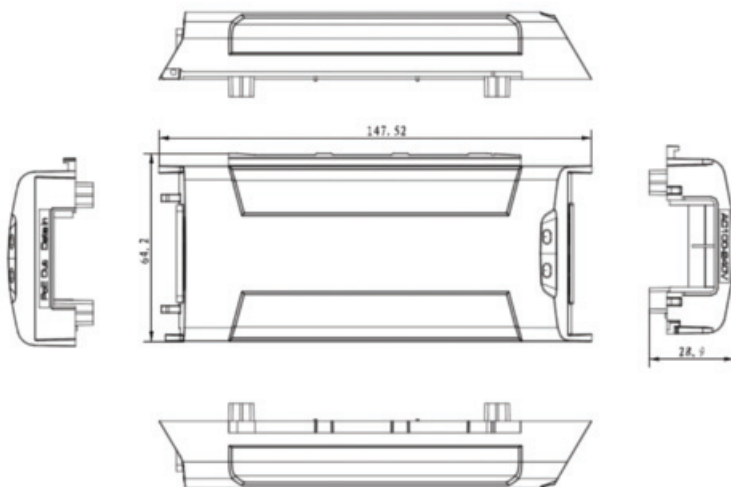


### Back

Input power indicator      Output PoE indicator



## Dimensions



All product specifications are subject to change without notice.  
All logos & trade marks represent the registered users only. All rights reserved.

### CANADA:

351 Ferrier Street, Unit 5  
Markham, Ontario  
L3R 5Z2, Canada  
Toll Free: 1-866-843-6865  
Tel: 416-410-6865

### USA:

171 Cooper Avenue, Site 110  
Tonawanda, NY  
14150 USA  
Toll Free: 1-866-843-6865  
Local: 1-716-877-7277

### UAE:

P O Box No 126312  
Office Suite 703  
Oxford Towers, Business Bay  
Dubai, UAE  
Tel: + 971 4 2767117

June 18, 2020

[www.watchnetinc.com](http://www.watchnetinc.com)  
[info@watchnetinc.com](mailto:info@watchnetinc.com)